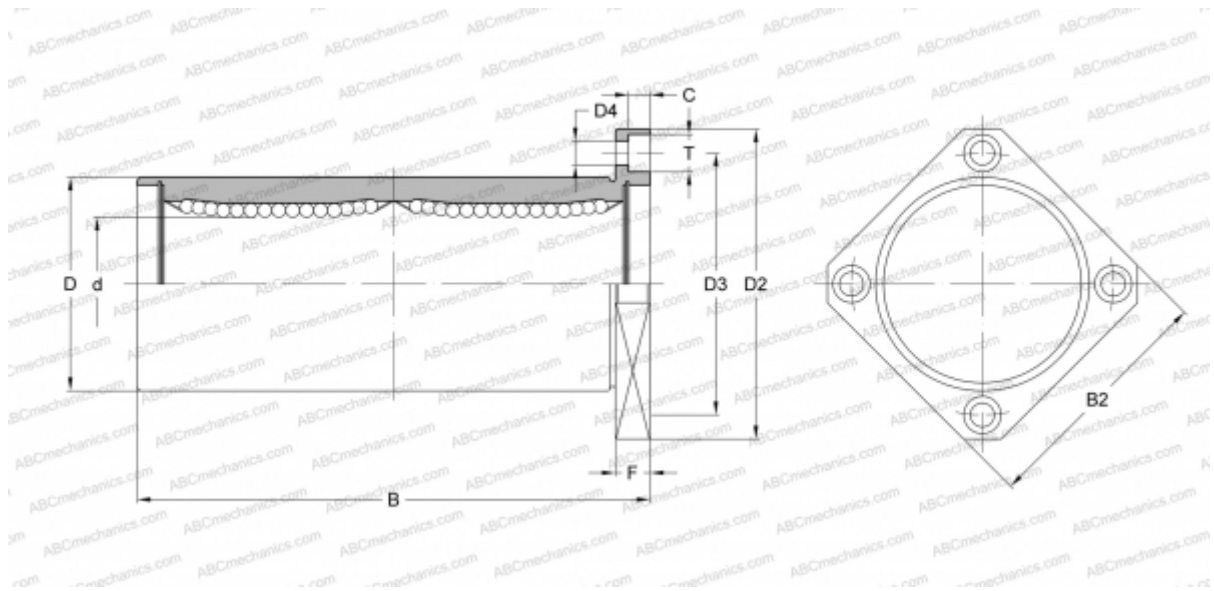


SMSK 40W NB

Linear bushing

TYPE: Shaft guidance systems, Linear bushing, With flange, Square type, double length, Type SMK..W, Asian standard, Corrosion resistance, Stainless steel cage (NB)



Technical specification

DIMENSIONS, MM

| | |
|----|---------|
| d | 40,000 |
| D | 60,000 |
| B | 151,000 |
| D2 | 96,000 |
| D3 | 78,000 |
| D4 | 9,000 |
| T | 14,000 |
| C | 8,100 |
| F | 13 |

WEIGHT, KG 1,380

MANUFACTURER [NB](#)