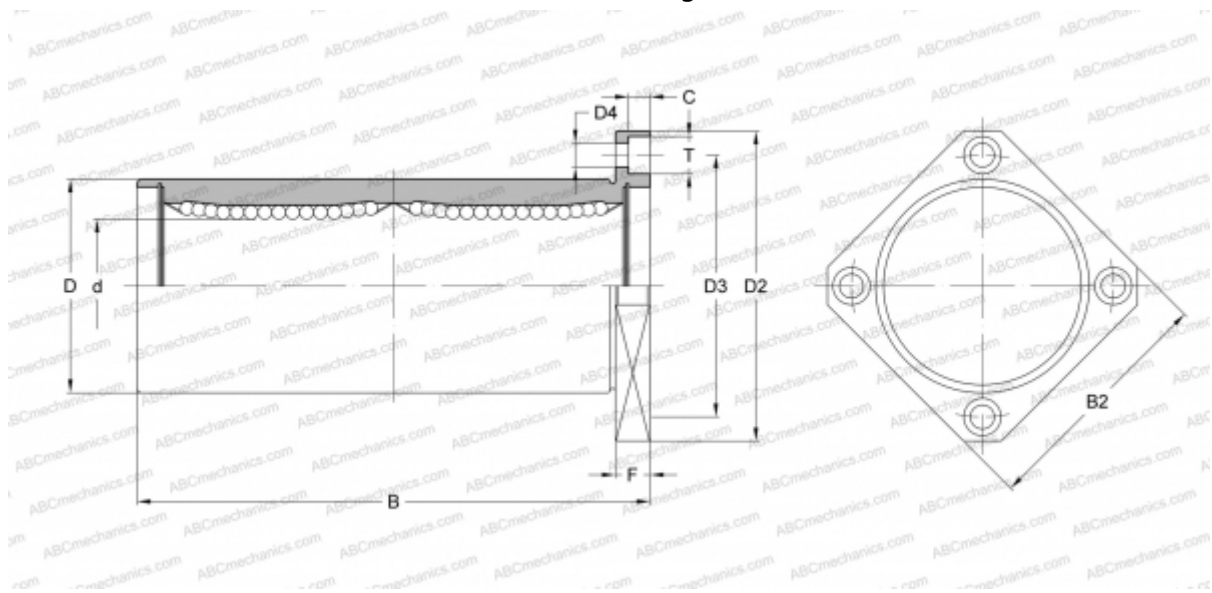


SMSK 20GW NB

Linear bushing

TYPE: Shaft guidance systems, Linear bushing, With flange, Square type, double length, Type SMK..W, Asian standard, Corrosion resistance, Plastic cage (NB)



Technical specification

DIMENSIONS, MM

| | |
|----|--------|
| d | 20,000 |
| D | 32,000 |
| B | 80,000 |
| D2 | 54,000 |
| D3 | 43,000 |
| D4 | 5,500 |
| T | 9,000 |
| C | 5,100 |
| F | 8 |

WEIGHT, KG 0,225

MANUFACTURER [NB](#)