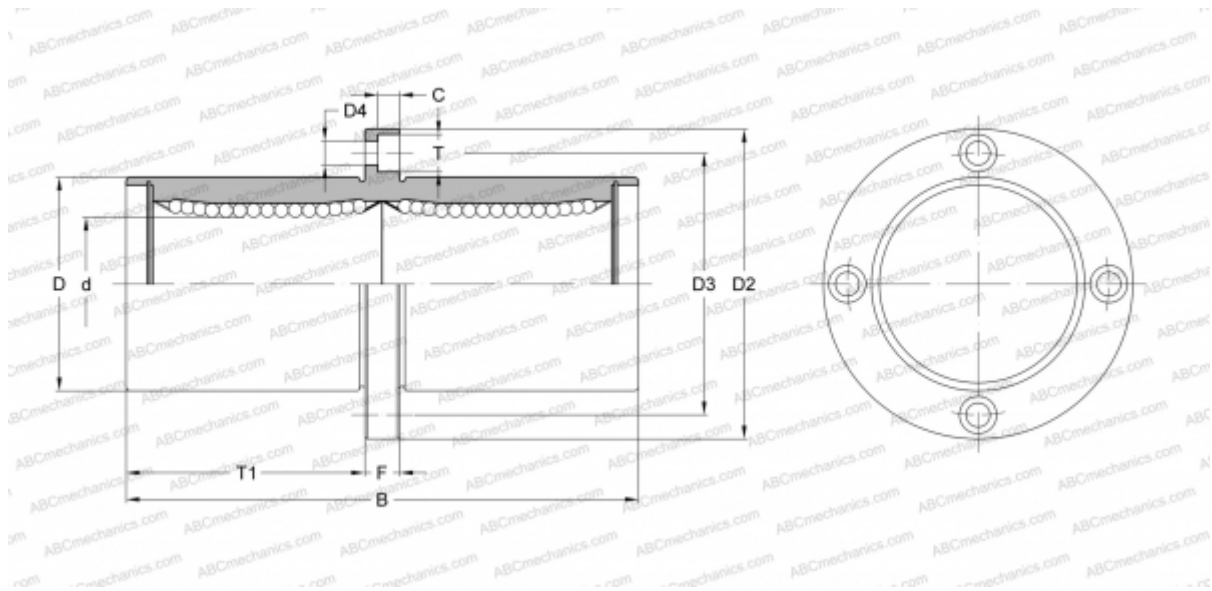


## SMFC 10G NB

Linear bushing

TYPE: Shaft guidance systems, Linear bushing, Middle flange location, Circular type, Type SMFC, Asian standard, Plastic cage (NB)



### Technical specification

#### DIMENSIONS, MM

d	10,000
D	19,000
B	55,000
D2	40,000
D3	29,000
D4	4,500
T	7,500
T1	24,500
C	4,100
F	6

**WEIGHT, KG** 0,098

**MANUFACTURER** [NB](#)