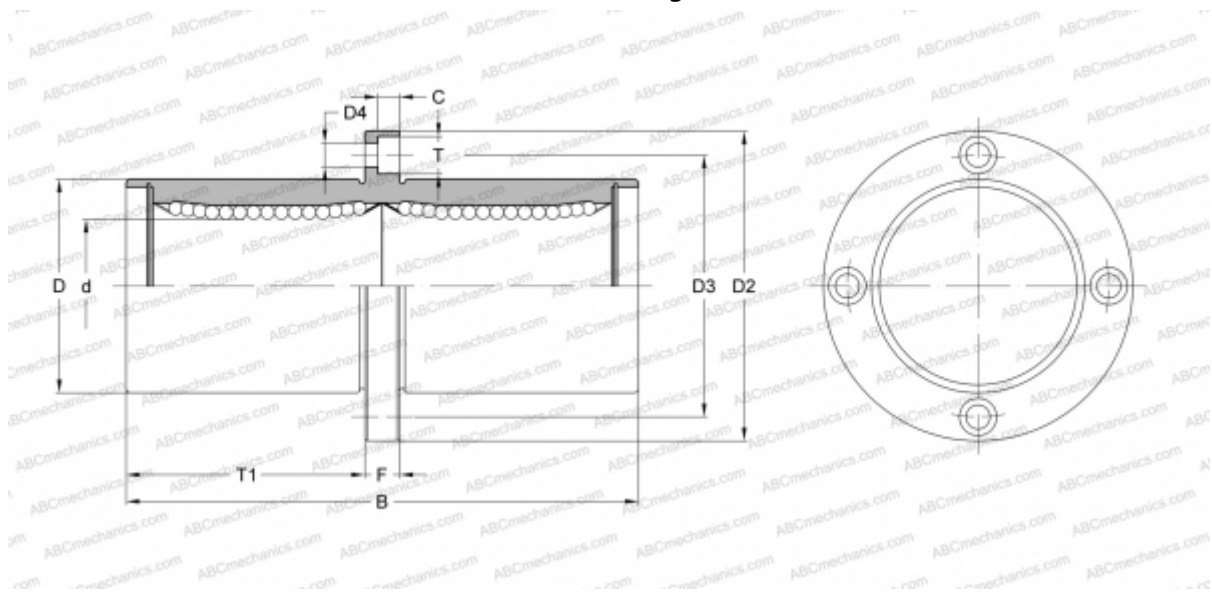


## SMSFC 60 NB

Linear bushing

TYPE: Shaft guidance systems, Linear bushing, Middle flange location, Circular type, Type SMFC, Asian standard, Corrosion resistance, Stainless steel cage (NB)



### Technical specification

#### DIMENSIONS, MM

d	60,000
D	90,000
B	209,000
D2	134,000
D3	112,000
D4	11,000
T	17,000
T1	95,500
C	11,100
F	18

**WEIGHT, KG** 4,500

**MANUFACTURER** [NB](#)