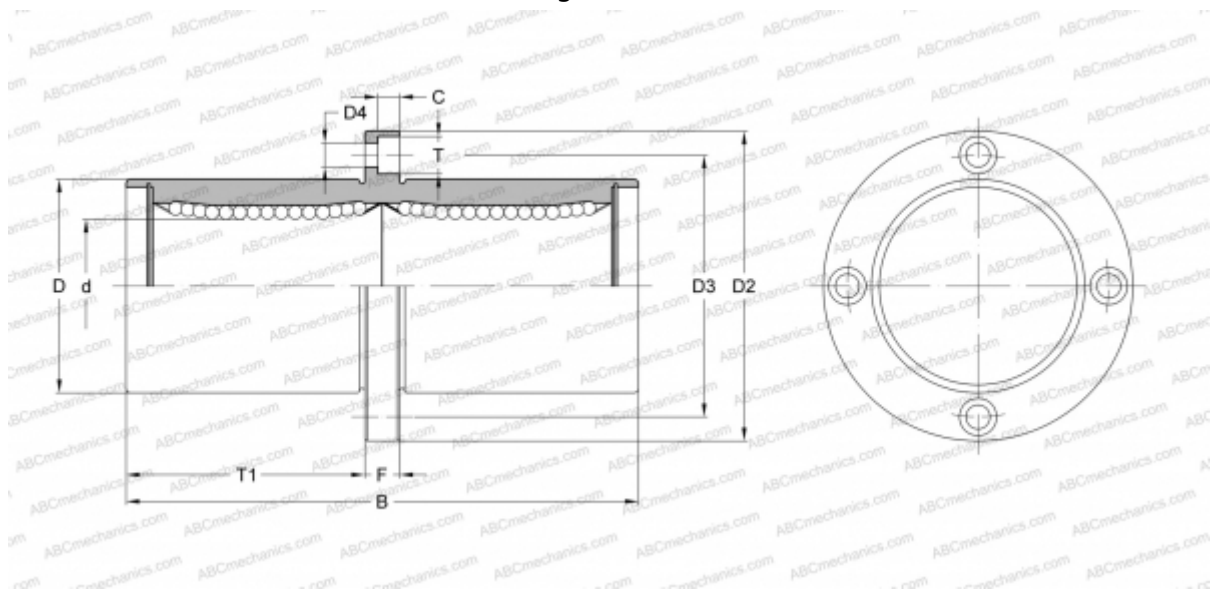


SMSFC 13G NB

Linear bushing

TYPE: Shaft guidance systems, Linear bushing, Middle flange location, Circular type, Type SMFC, Asian standard, Corrosion resistance, Plastic cage (NB)



Technical specification

DIMENSIONS, MM

d	13,000
D	23,000
B	61,000
D2	43,000
D3	33,000
D4	4,500
T	7,500
T1	27,500
C	4,100
F	6

WEIGHT, KG 0,130

MANUFACTURER [NB](#)