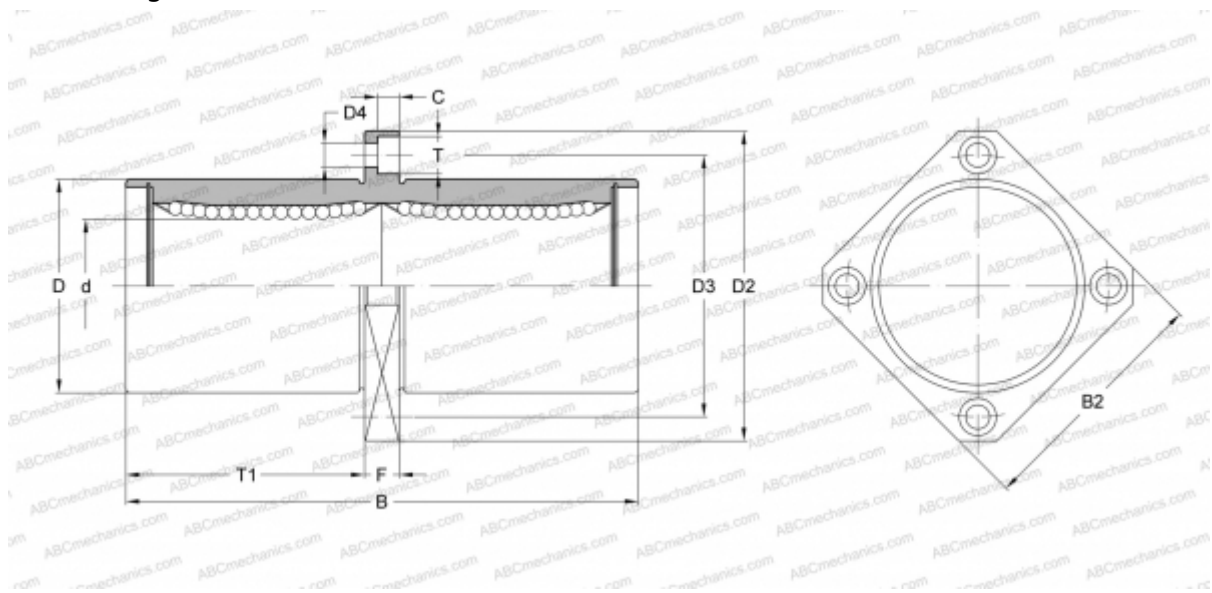


SMKC 10 NB

Linear bushing

TYPE: Shaft guidance systems, Linear bushing, Middle flange location, Square type, Type SMKC, Asian standard, Steel cage (NB)



Technical specification

DIMENSIONS, MM

| | |
|----|--------|
| d | 10,000 |
| D | 19,000 |
| B | 55,000 |
| D2 | 40,000 |
| D3 | 29,000 |
| D4 | 4,500 |
| B2 | 30,000 |
| T | 7,500 |
| T1 | 24,500 |
| C | 4,100 |
| F | 6 |

WEIGHT, KG 0,078

MANUFACTURER [NB](#)