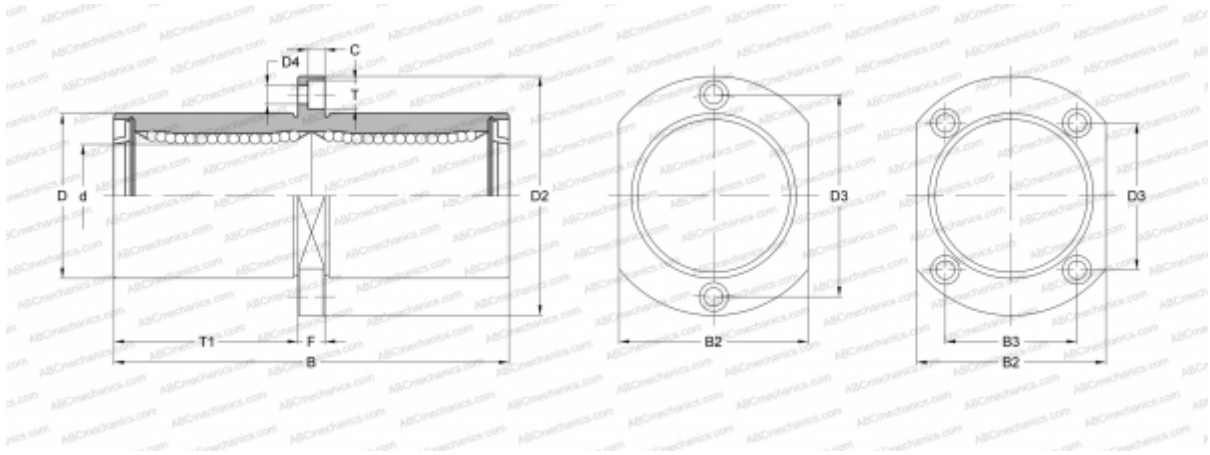


## SMTC 13UU NB

Linear bushing

TYPE: Shaft guidance systems, Linear bushing, Middle flange location, Oval type, Type SMTC, Asian standard, Steel cage (NB)



### Technical specification

#### DIMENSIONS, MM

d	13,000
D	23,000
B	61,000
D2	43,000
D3	33,000
D4	4,500
B2	29,000
T	7,500
T1	27,500
C	4,100
F	6

**WEIGHT, KG** 0,123

**MANUFACTURER** [NB](#)