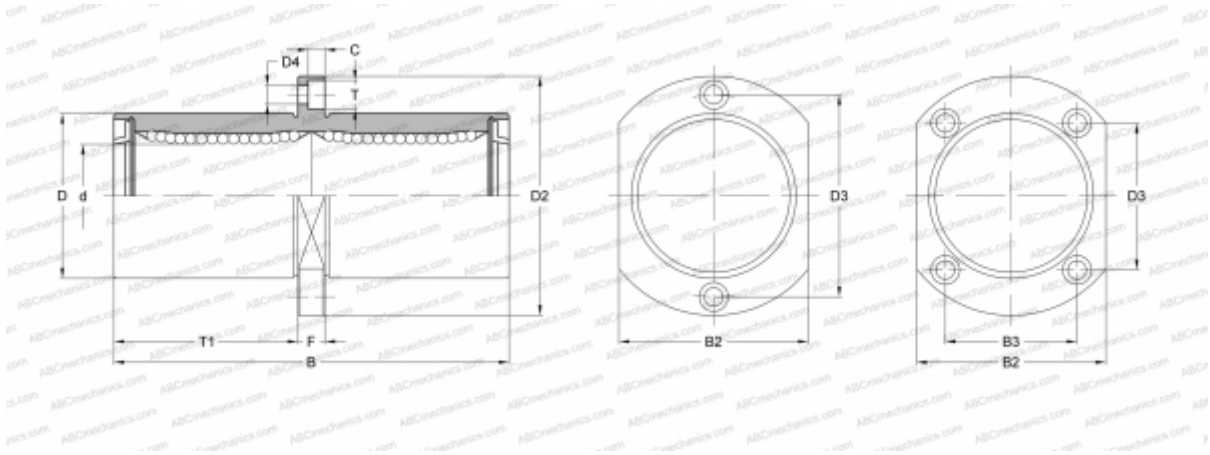


SMTC 12GUU NB

Linear bushing

TYPE: Shaft guidance systems, Linear bushing, Middle flange location, Oval type, Type SMTC, Asian standard, Plastic cage (NB)



Technical specification

DIMENSIONS, MM

d	12,000
D	21,000
B	57,000
D2	42,000
D3	32,000
D4	4,500
B2	27,000
T	7,500
T1	25,500
C	4,100
F	6

WEIGHT, KG 0,102

MANUFACTURER [NB](#)