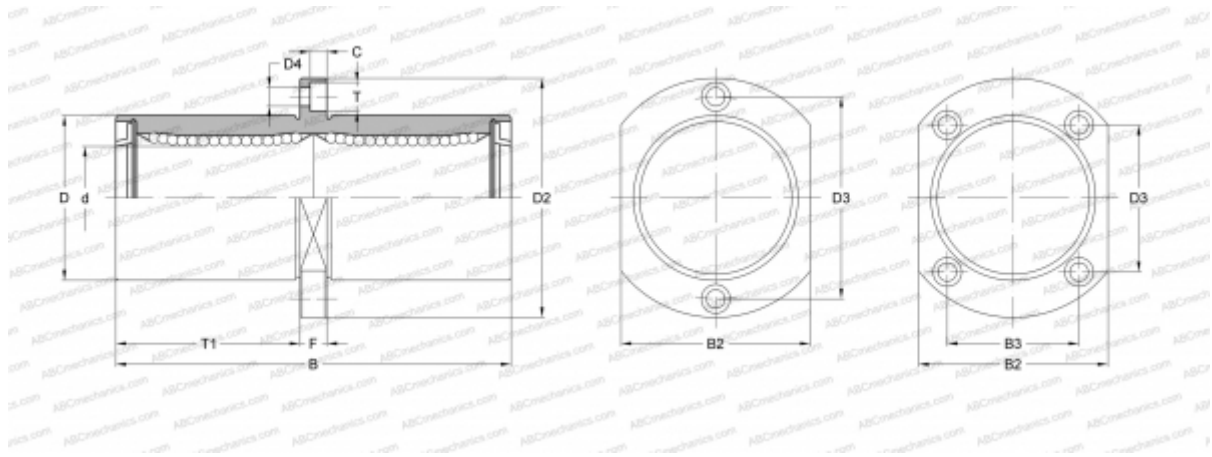


## SMSTC 12GUU NB

Linear bushing

TYPE: Shaft guidance systems, Linear bushing, Middle flange location, Oval type, Type SMTC, Asian standard, Corrosion resistance, Plastic cage (NB)



### Technical specification

#### DIMENSIONS, MM

d	12,000
D	21,000
B	57,000
D2	42,000
D3	32,000
D4	4,500
B2	27,000
T	7,500
T1	25,500
C	4,100
F	6

**WEIGHT, KG** 0,102

**MANUFACTURER** [NB](#)