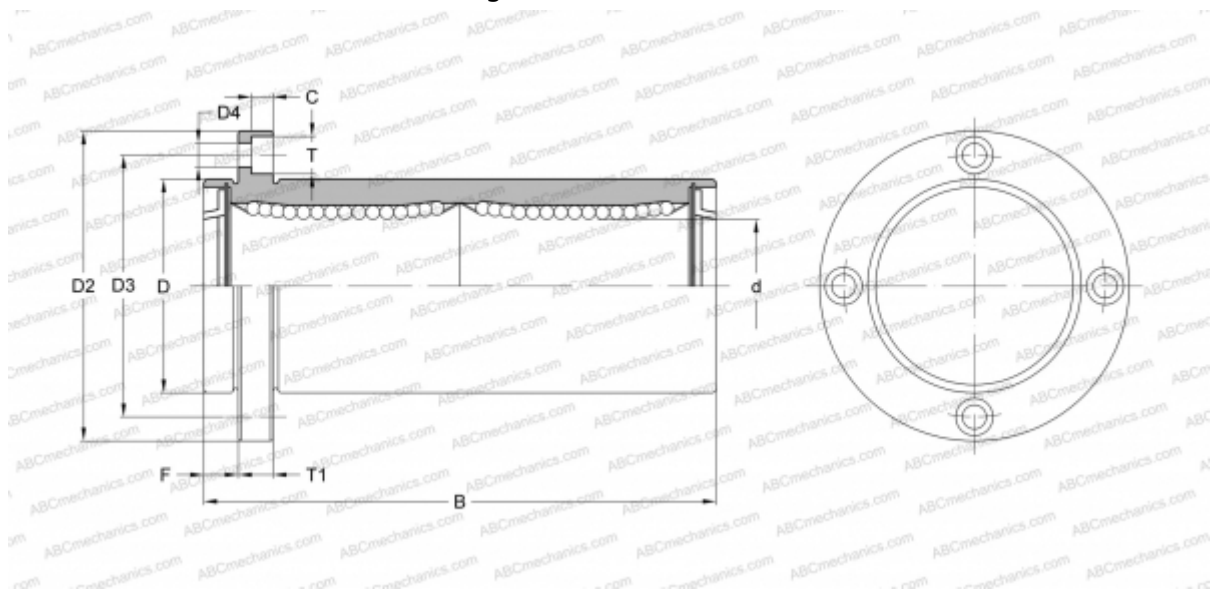


## SMF 35GWUU-E NB

Linear bushing

TYPE: Shaft guidance systems, Linear bushing, Pilot flange location, Circular type, double length, Type SMF..W..E, Asian standard, Plastic cage (NB)



### Technical specification

#### DIMENSIONS, MM

d	35,000
D	52,000
B	135,000
D2	82,000
D3	67,000
D4	6,600
T	11,000
T1	10,000
C	6,100
F	10

**WEIGHT, KG** 1,020

**MANUFACTURER** [NB](#)