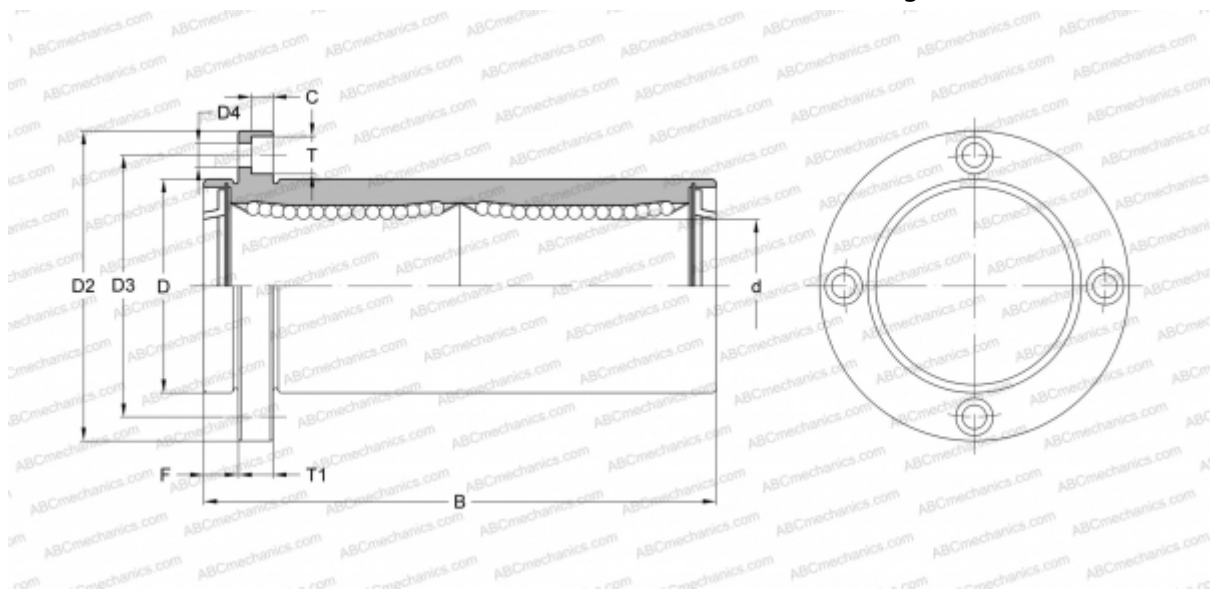


SMSF 10WUU-E NB

Linear bushing

TYPE: Shaft guidance systems, Linear bushing, Pilot flange location, Circular type, double length, Type SMF..W..E, Asian standard, Corrosion resistance, Stainless steel cage (NB)



Technical specification

DIMENSIONS, MM

d	10,000
D	19,000
B	55,000
D2	40,000
D3	29,000
D4	4,500
T	7,500
T1	6,000
C	4,100
F	6

WEIGHT, KG 0,098

MANUFACTURER [NB](#)