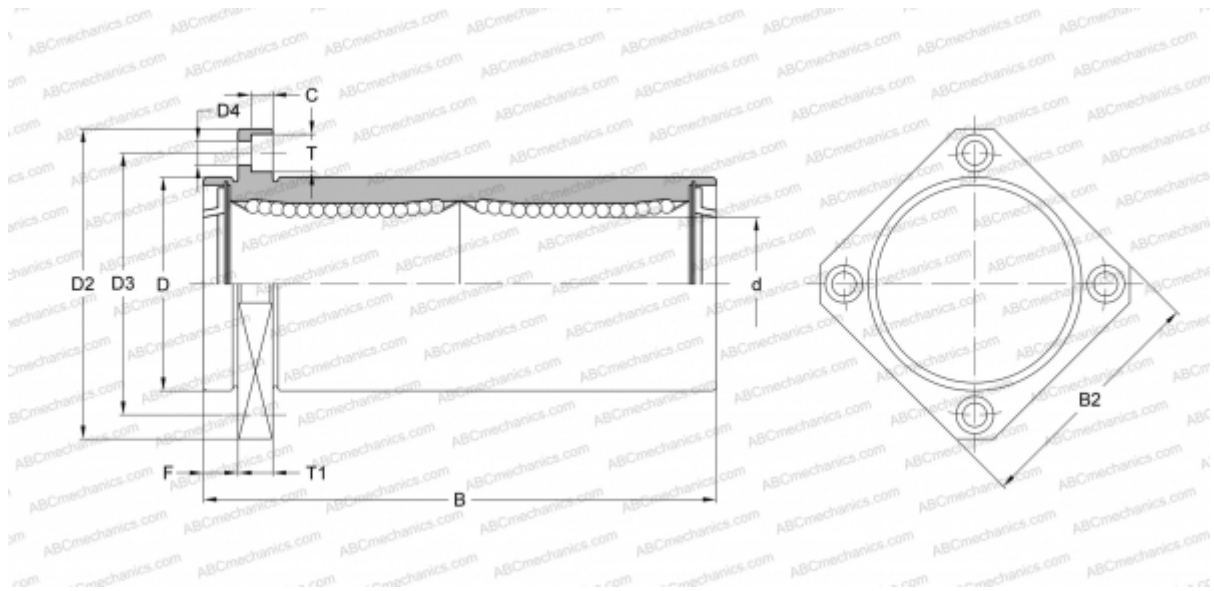


## SMK 10WUU-E NB

Linear bushing

TYPE: Shaft guidance systems, Linear bushing, Pilot flange location, Square type, double length, Type SMK..W..E, Asian standard, Steel cage (NB)



### Technical specification

#### DIMENSIONS, MM

d	10,000
D	19,000
B	55,000
D2	40,000
D3	29,000
D4	4,500
B2	30,000
T	7,500
T1	6,000
C	4,100
F	6

**WEIGHT, KG** 0,078

**MANUFACTURER** [NB](#)