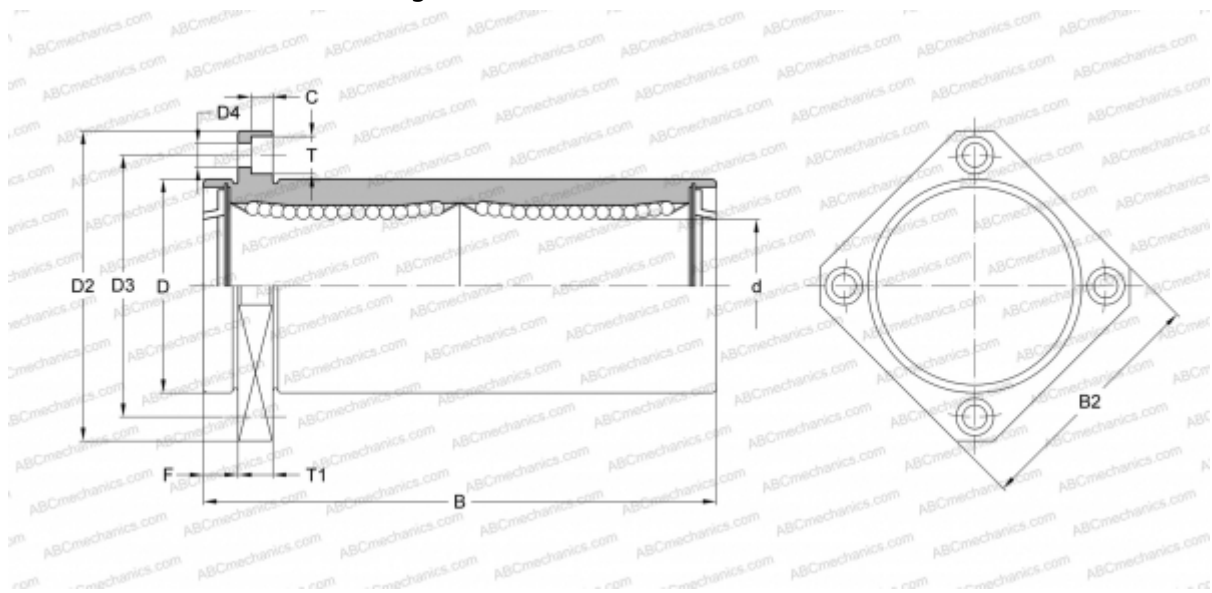


SMK 60GWUU-E NB

Linear bushing

TYPE: Shaft guidance systems, Linear bushing, Pilot flange location, Square type, double length, Type SMK..W..E, Asian standard, Plastic cage (NB)



Technical specification

DIMENSIONS, MM

d	60,000
D	90,000
B	209,000
D2	134,000
D3	112,000
D4	11,000
B2	106,000
T	17,000
T1	18,000
C	11,100
F	18

WEIGHT, KG 4,060

MANUFACTURER [NB](#)