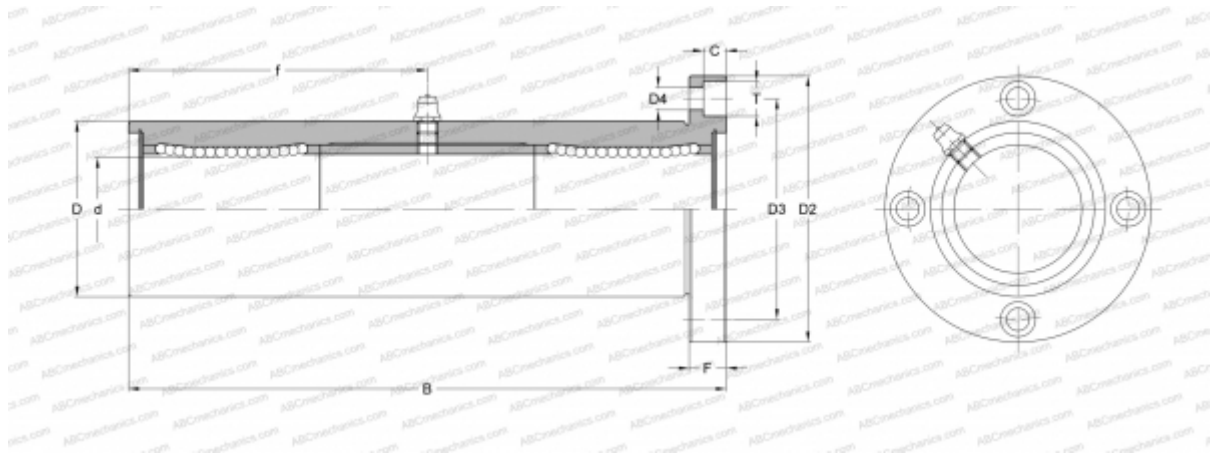


## TRF 60UU NB

Linear bushing

TYPE: Shaft guidance systems, Linear bushing, With flange, Circular type, three length, Type TRF, Asian standard, Steel cage (NB)



### Technical specification

#### DIMENSIONS, MM

d	60,000
D	100,000
B	310,000
D2	144,000
D3	122,000
D4	11,000
T	17,000
f	155,000
C	11,100
F	18

**WEIGHT, KG** 9,660

**MANUFACTURER** [NB](#)