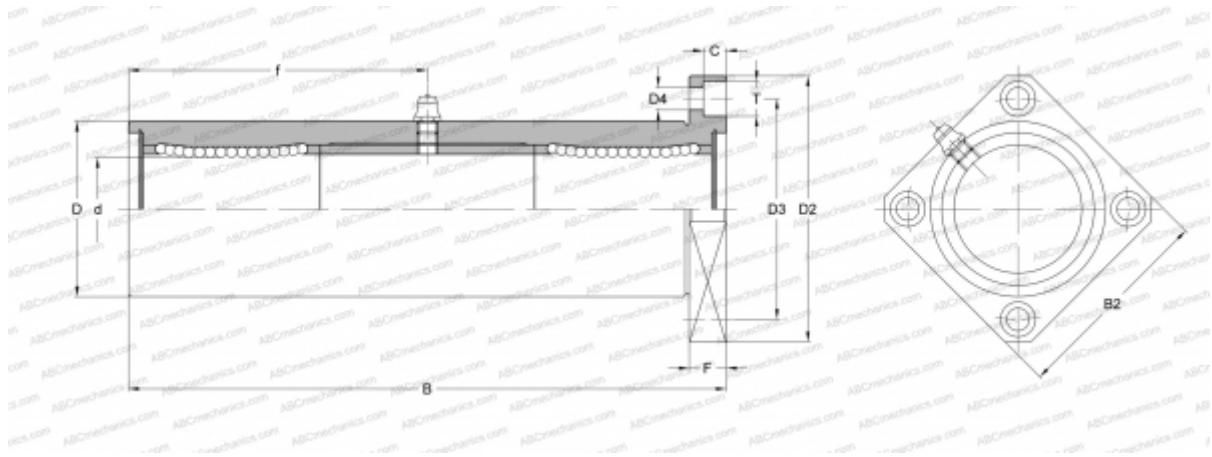


TRK 1SUU NB

Linear bushing

TYPE: Shaft guidance systems, Linear bushing, With flange, Square type, three length, Type TRK, Asian standard, Steel cage (NB)



Technical specification

DIMENSIONS, MM

d	16,000
D	32,000
B	103,000
D2	54,000
D3	43,000
D4	5,500
B2	42,000
T	9,000
f	51,000
C	5,100
F	8

WEIGHT, KG 0,376

MANUFACTURER [NB](#)