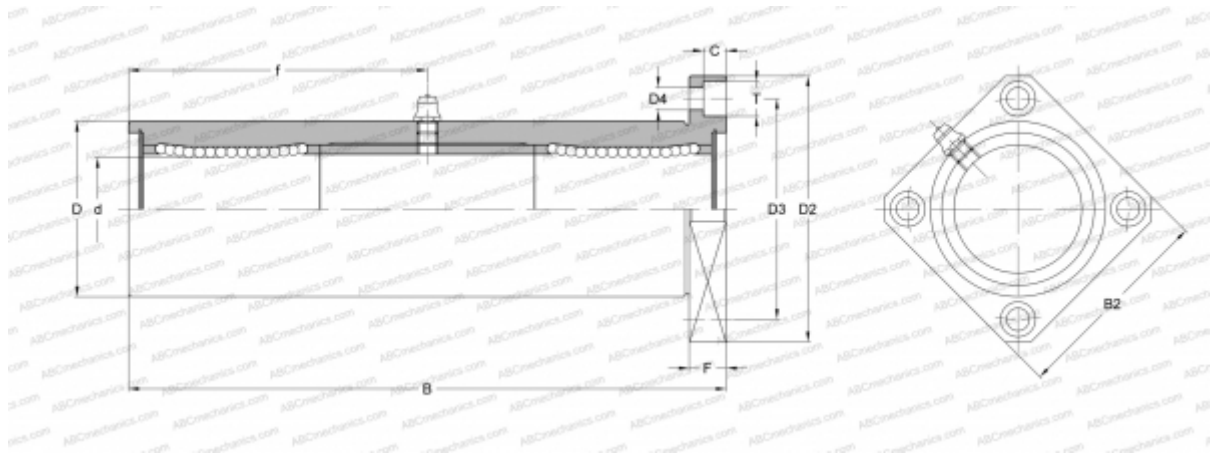


## TRK 40GUU NB

Linear bushing

TYPE: Shaft guidance systems, Linear bushing, With flange, Square type, three length, Type TRK, Asian standard, Plastic cage (NB)



### Technical specification

#### DIMENSIONS, MM

d	40,000
D	65,000
B	230,000
D2	101,000
D3	83,000
D4	9,000
B2	80,000
T	14,000
f	115,000
C	8,100
F	13

**WEIGHT, KG** 2,510

**MANUFACTURER** [NB](#)