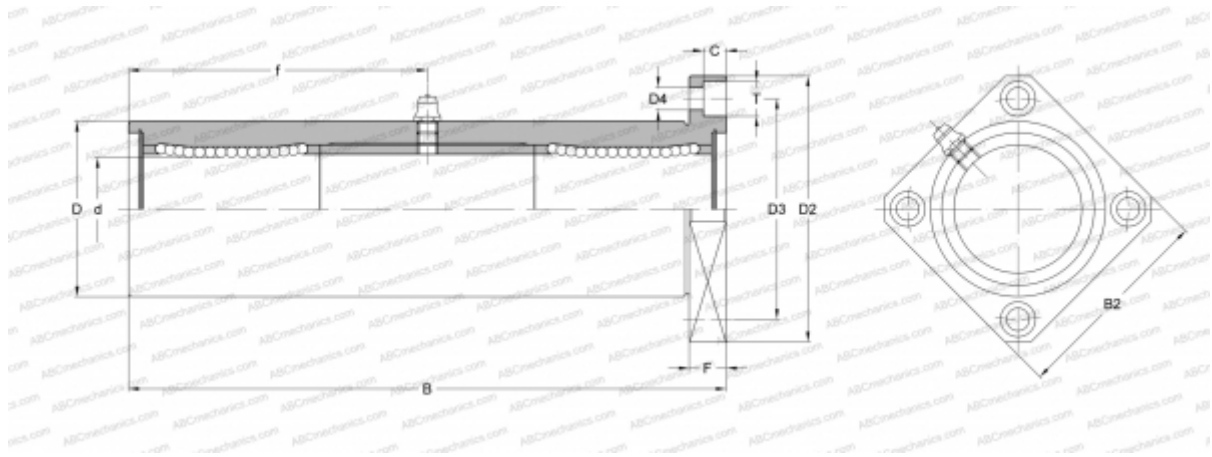


TRK 60GUU NB

Linear bushing

TYPE: Shaft guidance systems, Linear bushing, With flange, Square type, three length, Type TRK, Asian standard, Plastic cage (NB)



Technical specification

DIMENSIONS, MM

d	60,000
D	100,000
B	310,000
D2	144,000
D3	122,000
D4	11,000
B2	116,000
T	17,000
f	155,000
C	11,100
F	18

WEIGHT, KG 9,200

MANUFACTURER [NB](#)