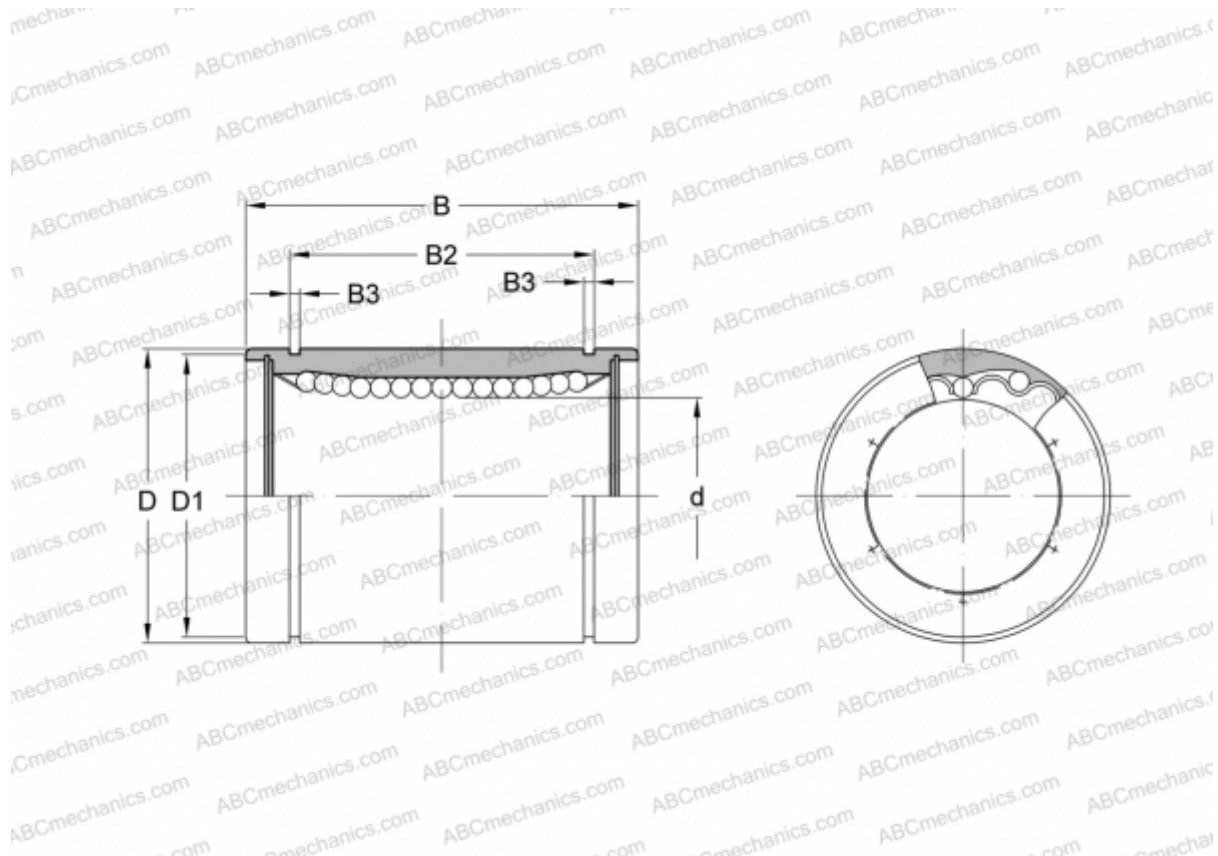


KB 3 NB

Linear bushing

TYPE: Shaft guidance systems, Linear bushing, Standard, Close type, Type KB, European standard, Steel cage (NB)



Technical specification

DIMENSIONS, MM

d	3,000
D	7,000
B	10,000

WEIGHT, KG 0,001

MANUFACTURER [NB](#)