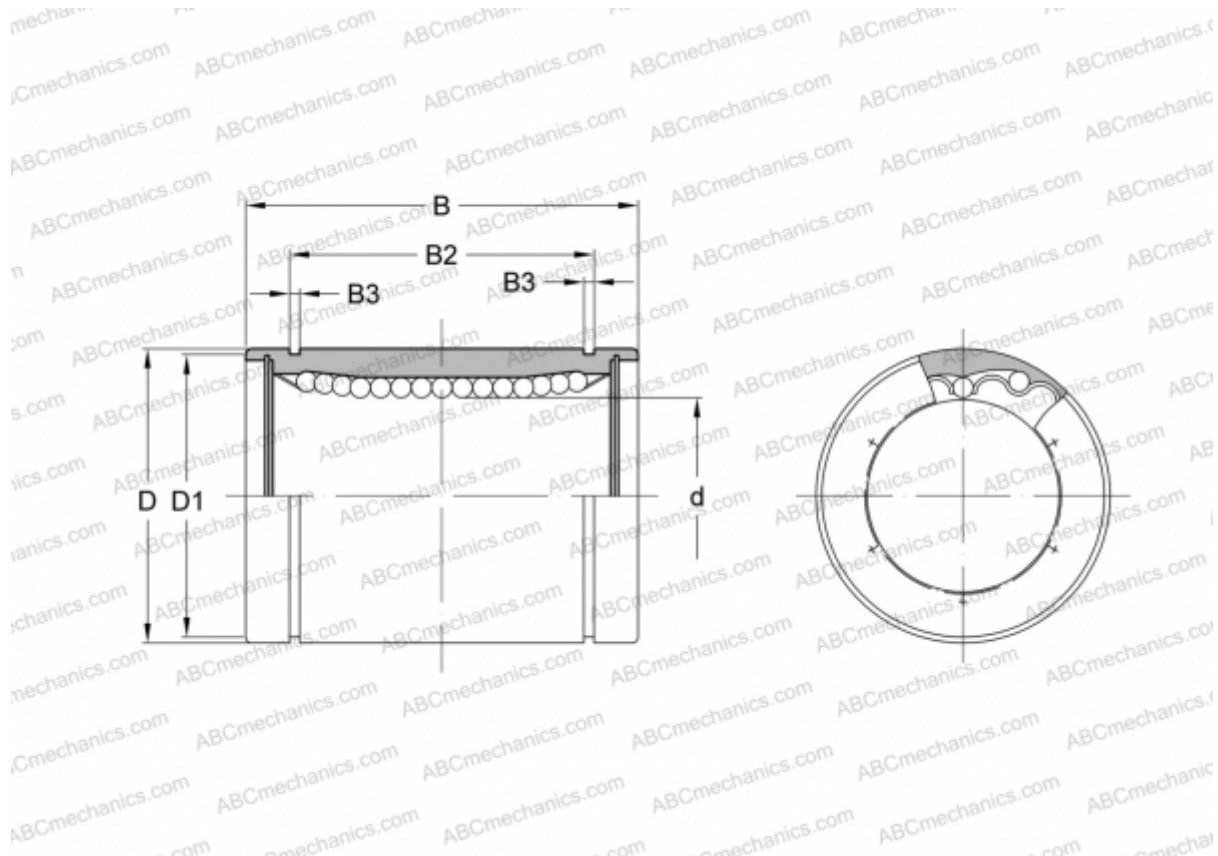


## KB 3G NB

Linear bushing

TYPE: Shaft guidance systems, Linear bushing, Standard, Close type, Type KB, European standard, Plastic cage (NB)



### Technical specification

#### DIMENSIONS, MM

d	3,000
D	7,000
B	10,000

**WEIGHT, KG** 0,001

**MANUFACTURER** [NB](#)