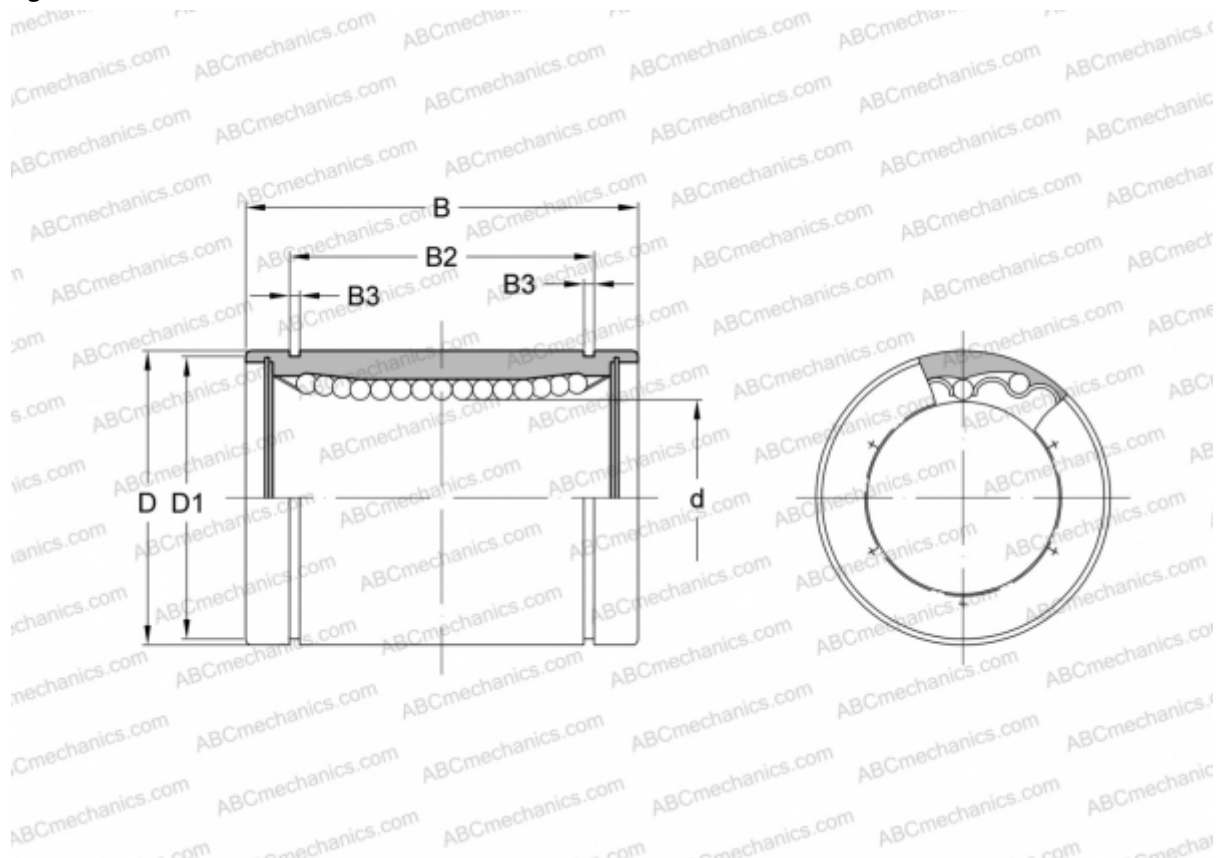


KB 60G NB

Linear bushing

TYPE: Shaft guidance systems, Linear bushing, Standard, Close type, Type KB, European standard, Plastic cage (NB)



Technical specification

DIMENSIONS, MM

d	60,000
D	90,000
B	125,000
D1	86,500
B2	101,700
B3	3,150

WEIGHT, KG 2,220

MANUFACTURER [NB](#)