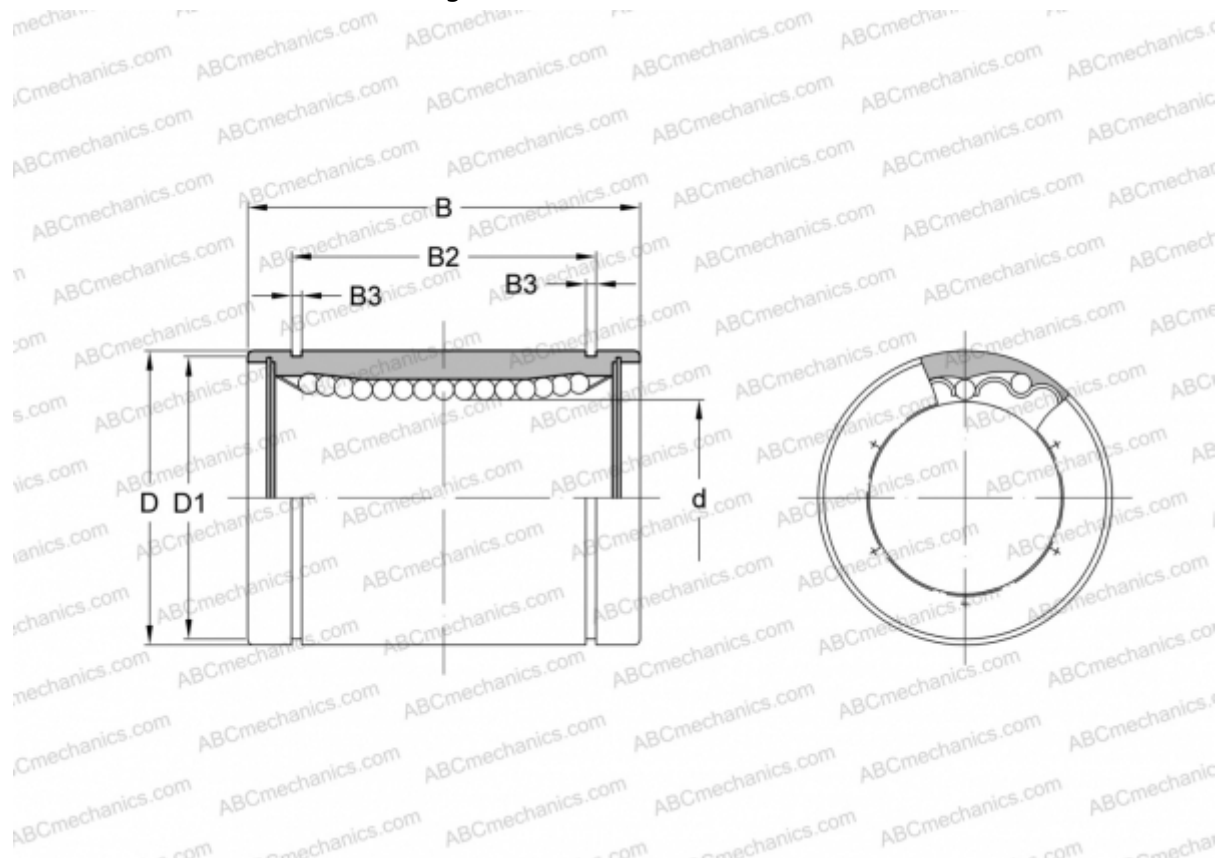


KBS 4 NB

Linear bushing

TYPE: Shaft guidance systems, Linear bushing, Standard, Close type, Type KB, European standard, Corrosion resistance, Stainless steel cage (NB)



Technical specification

DIMENSIONS, MM

d	4,000
D	8,000
B	12,000

WEIGHT, KG 0,002

MANUFACTURER [NB](#)