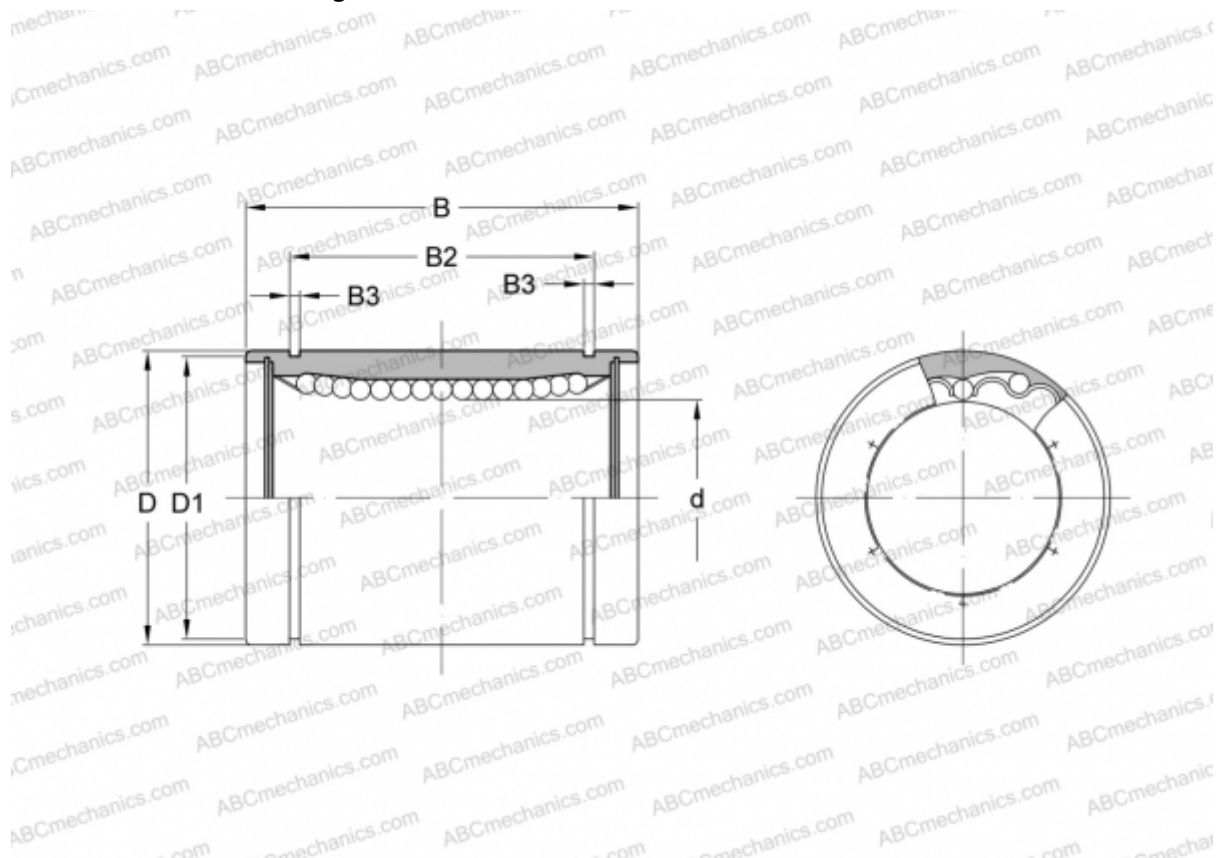


KBS 4G NB

Linear bushing

TYPE: Shaft guidance systems, Linear bushing, Standard, Close type, Type KB, European standard, Corrosion resistance, Plastic cage (NB)



Technical specification

DIMENSIONS, MM

| | |
|---|--------|
| d | 4,000 |
| D | 8,000 |
| B | 12,000 |

WEIGHT, KG 0,002

MANUFACTURER [NB](#)