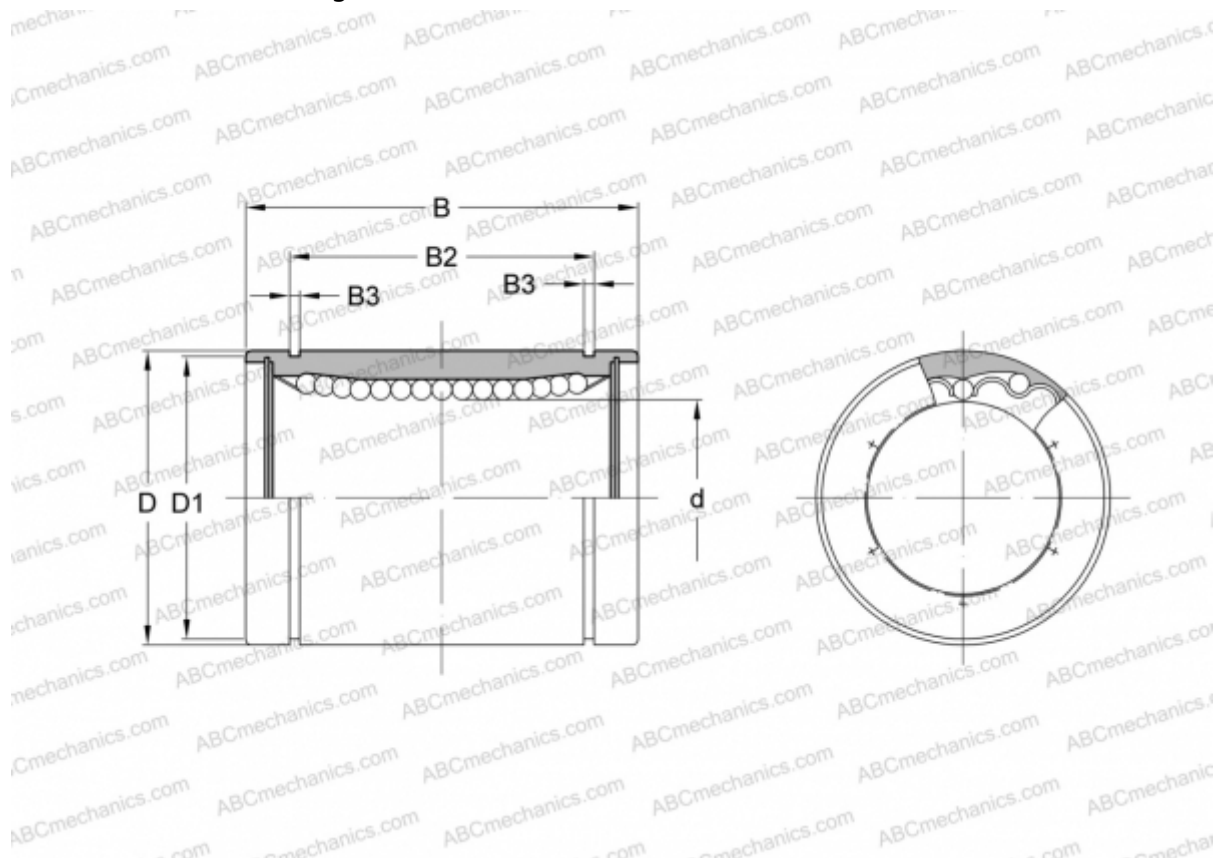


KBS 20G NB

Linear bushing

TYPE: Shaft guidance systems, Linear bushing, Standard, Close type, Type KB, European standard, Corrosion resistance, Plastic cage (NB)



Technical specification

DIMENSIONS, MM

| | |
|----|--------|
| d | 20,000 |
| D | 32,000 |
| B | 45,000 |
| D1 | 30,300 |
| B2 | 31,500 |
| B3 | 1,600 |

WEIGHT, KG 0,102

MANUFACTURER [NB](#)