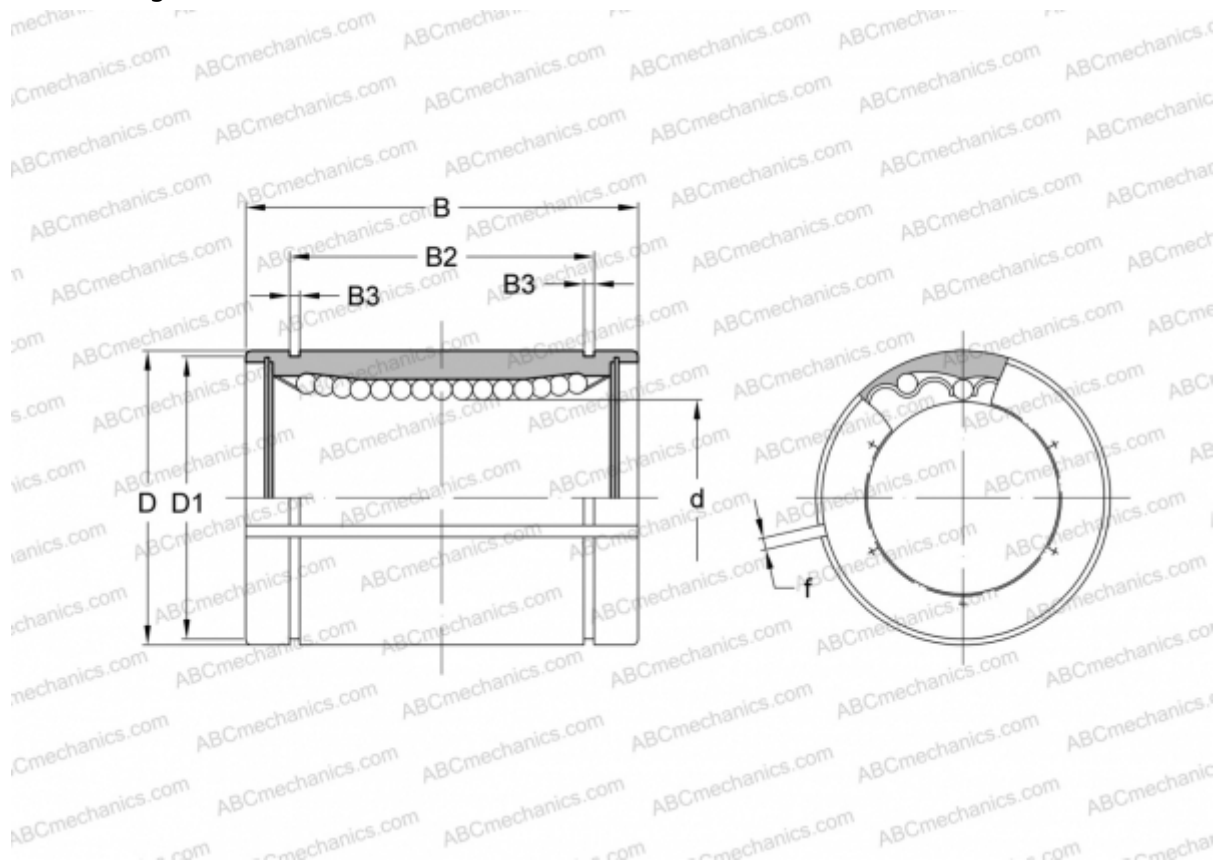


KB 80-AJ NB

Linear bushing

TYPE: Shaft guidance systems, Linear bushing, Standard, Adjustable type, Type KB..AJ, European standard, Steel cage (NB)



Technical specification

DIMENSIONS, MM

d	80,000
D	120,000
B	165,000
D1	116,000
B2	133,700
B3	4,150
f	3,000

WEIGHT, KG 5,000

MANUFACTURER [NB](#)