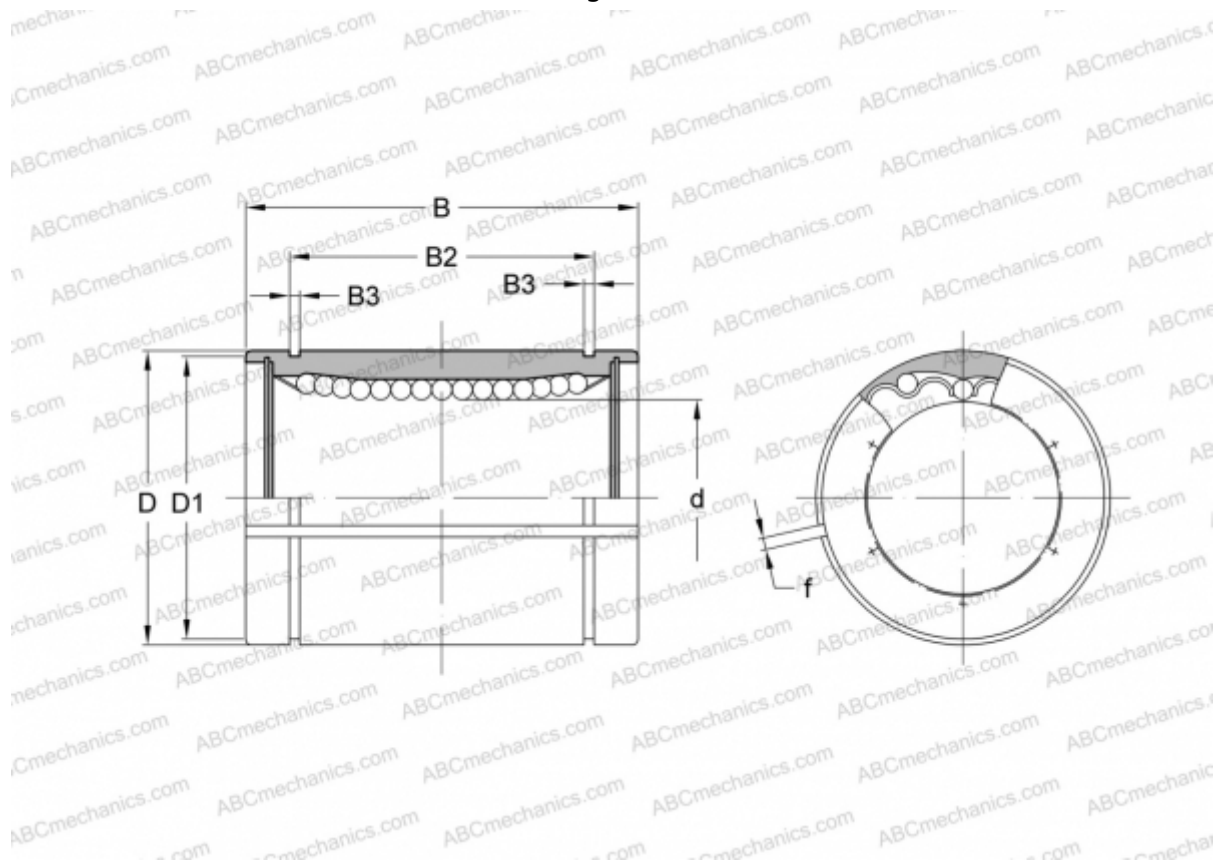


KBS 60-AJ NB

Linear bushing

TYPE: Shaft guidance systems, Linear bushing, Standard, Adjustable type, Type KB..AJ, European standard, Corrosion resistance, Stainless steel cage (NB)



Technical specification

DIMENSIONS, MM

| | |
|----|---------|
| d | 60,000 |
| D | 90,000 |
| B | 125,000 |
| D1 | 86,500 |
| B2 | 101,700 |
| B3 | 3,150 |
| f | 3,000 |

WEIGHT, KG 2,170

MANUFACTURER [NB](#)