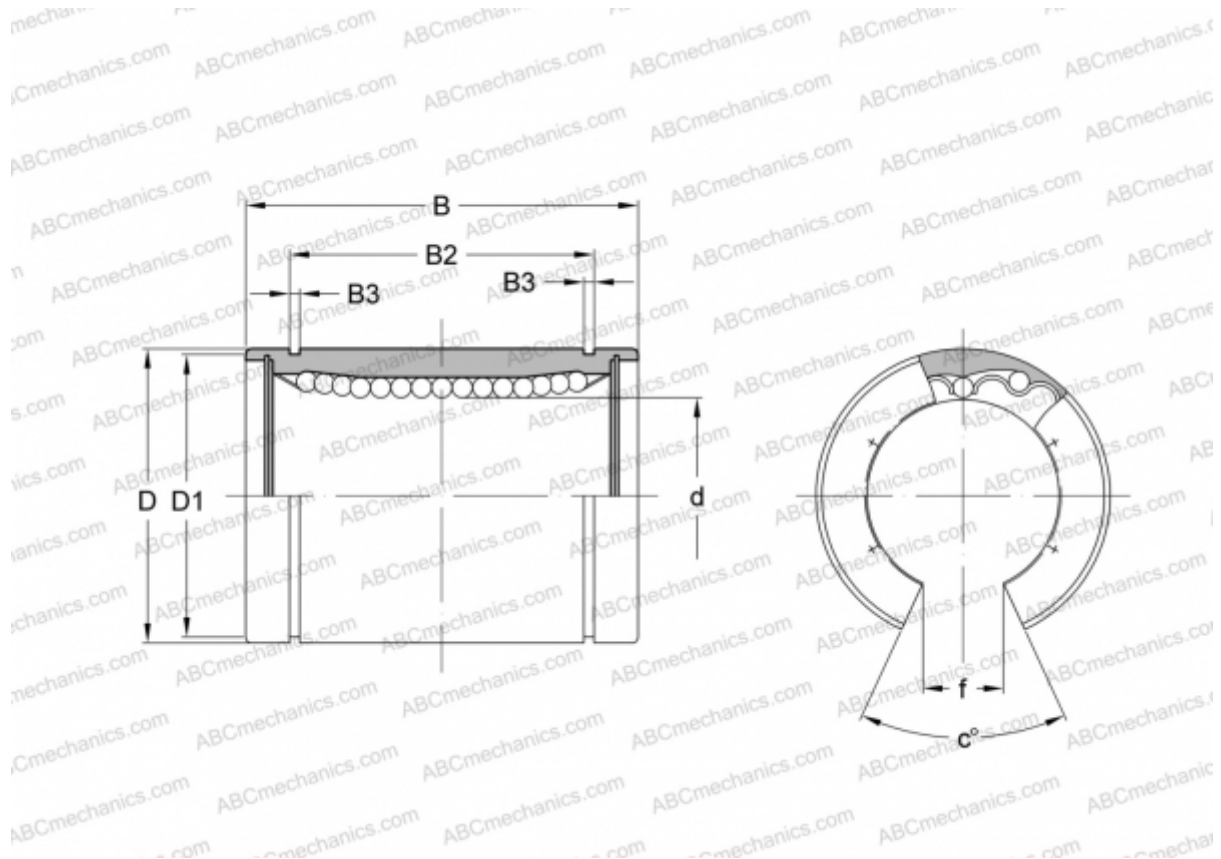


## KB 80-OP

Linear bushing

TYPE: Shaft guidance systems, Linear bushing, Standard, Open type for support rail, Type KB..OP, European standard, Steel cage (NB)



### Technical specification

#### DIMENSIONS, MM

d	80,000
D	120,000
B	165,000
D1	116,000
B2	133,700
B3	4,150
f	36,300
c	54

**WEIGHT, KG** 4,380