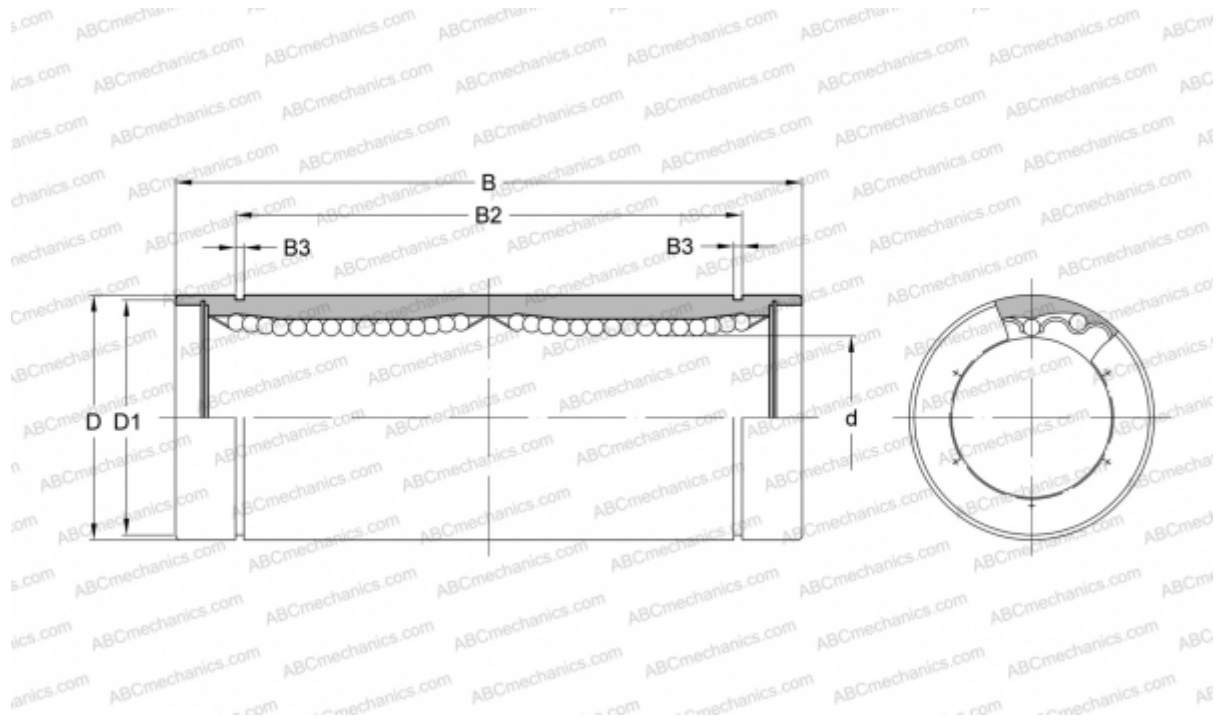


KB 50W NB

Linear bushing

TYPE: Shaft guidance systems, Linear bushing, Standard, Close type, double length, Type KB..W, European standard, Steel cage (NB)



Technical specification

DIMENSIONS, MM

d	50,000
D	75,000
B	192,000
D1	72,000
B2	155,200
B3	2,650

WEIGHT, KG 2,320

MANUFACTURER [NB](#)