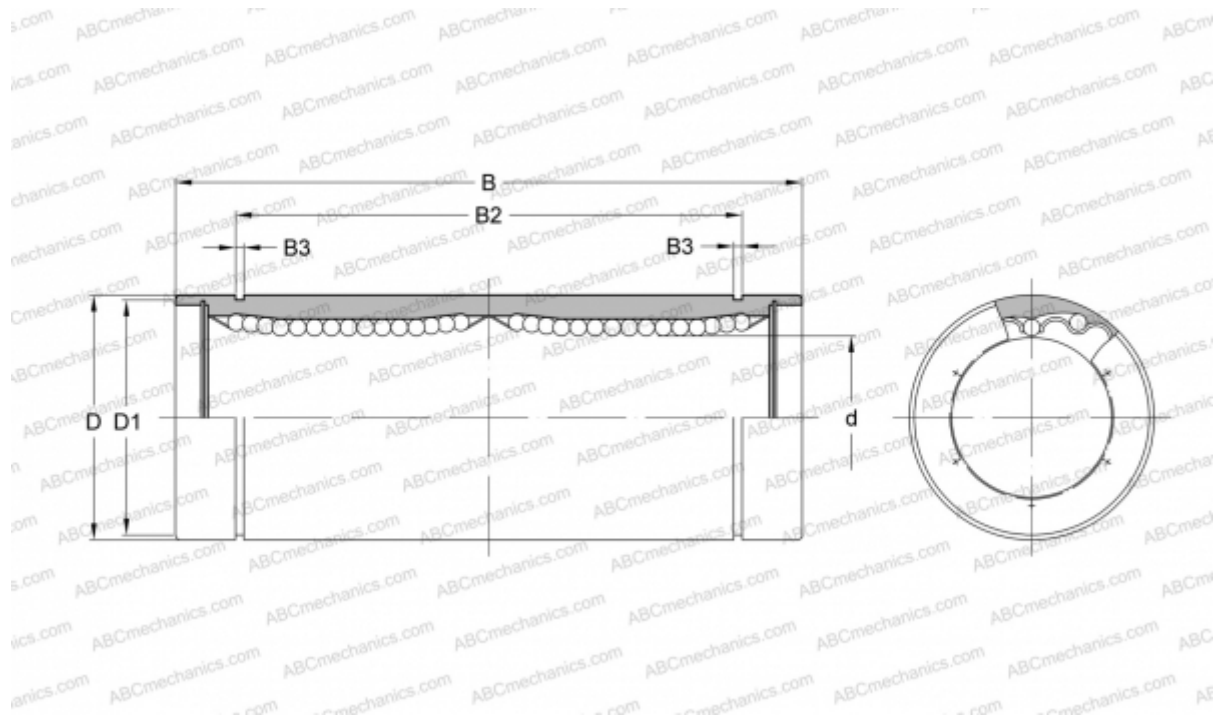


KB 30GW NB

Linear bushing

TYPE: Shaft guidance systems, Linear bushing, Standard, Close type, double length, Type KB..W, European standard, Plastic cage (NB)



Technical specification

DIMENSIONS, MM

d	30,000
D	47,000
B	123,000
D1	44,500
B2	104,200
B3	1,850

WEIGHT, KG 0,615

MANUFACTURER [NB](#)