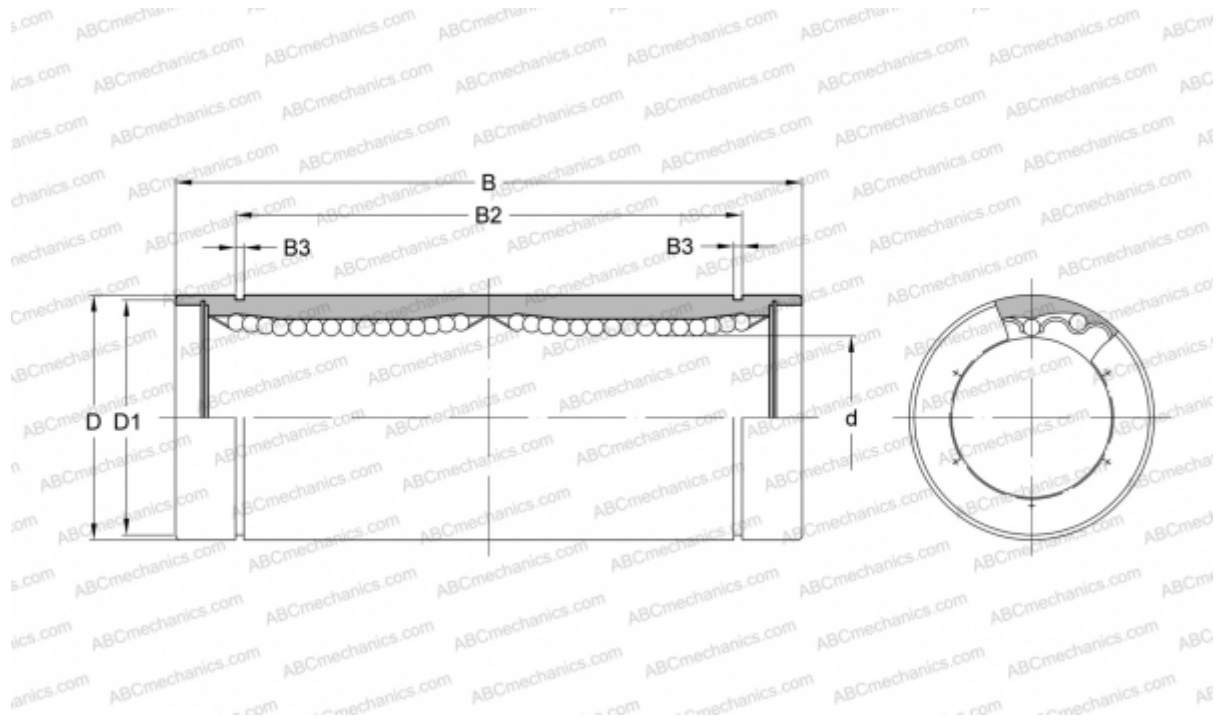


## KB 50GW NB

Linear bushing

TYPE: Shaft guidance systems, Linear bushing, Standard, Close type, double length, Type KB..W, European standard, Plastic cage (NB)



### Technical specification

#### DIMENSIONS, MM

d	50,000
D	75,000
B	192,000
D1	72,000
B2	155,200
B3	2,650

**WEIGHT, KG** 2,320

**MANUFACTURER** [NB](#)