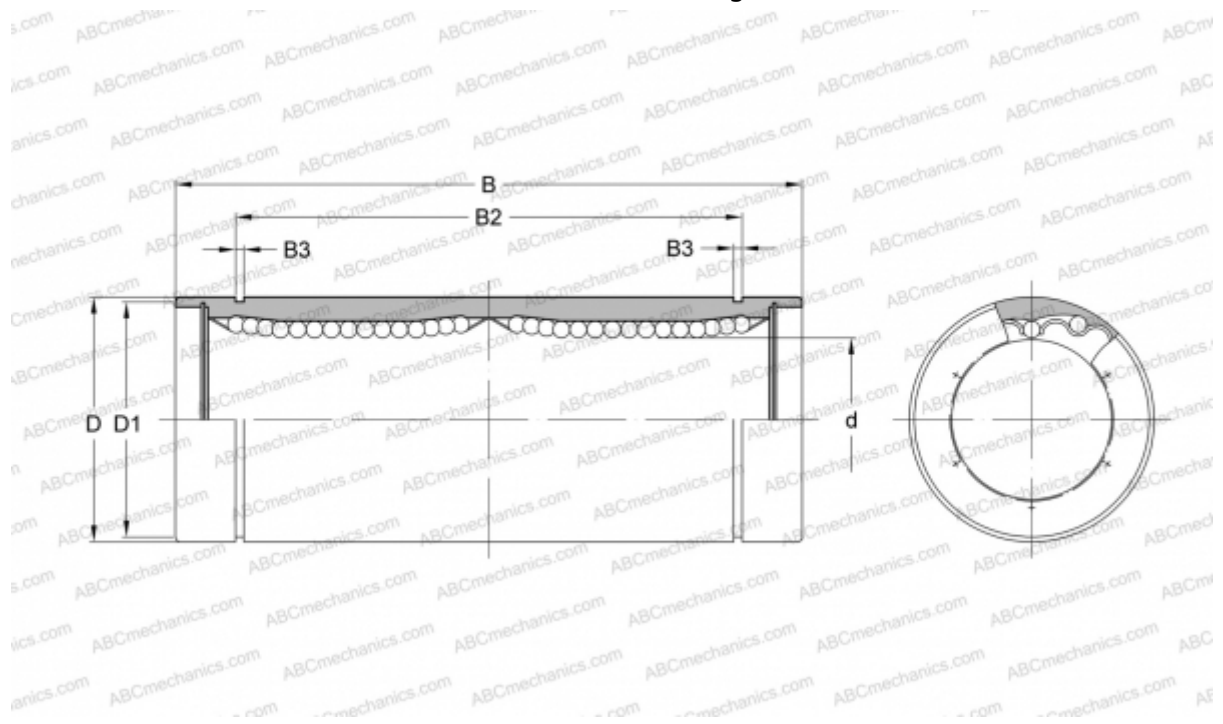


KBS 8W NB

Linear bushing

TYPE: Shaft guidance systems, Linear bushing, Standard, Close type, double length, Type KB..W, European standard, Corrosion resistance, Stainless steel cage (NB)



Technical specification

DIMENSIONS, MM

| | |
|----|--------|
| d | 8,000 |
| D | 16,000 |
| B | 46,000 |
| D1 | 15,200 |
| B2 | 33,000 |
| B3 | 1,100 |

WEIGHT, KG 0,040

MANUFACTURER [NB](#)