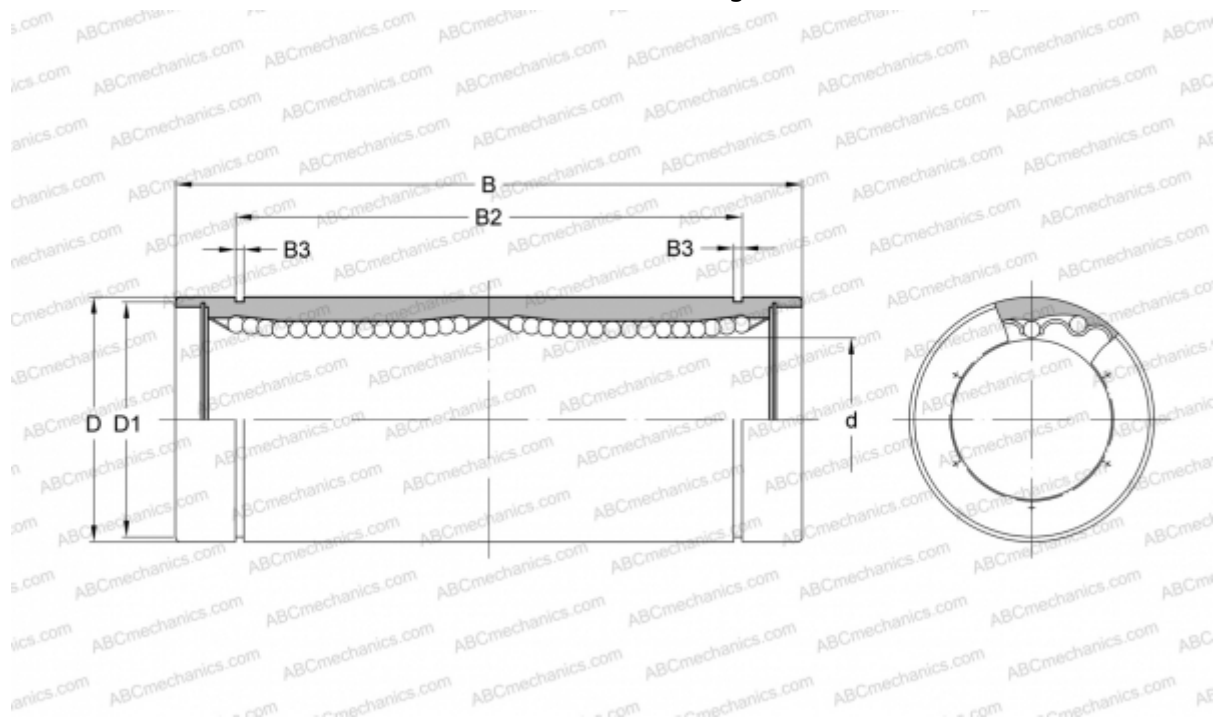


## KBS 20W NB

Linear bushing

TYPE: Shaft guidance systems, Linear bushing, Standard, Close type, double length, Type KB..W, European standard, Corrosion resistance, Stainless steel cage (NB)



### Technical specification

#### DIMENSIONS, MM

d	20,000
D	32,000
B	80,000
D1	30,500
B2	61,000
B3	1,600

**WEIGHT, KG** 0,180

**MANUFACTURER** [NB](#)