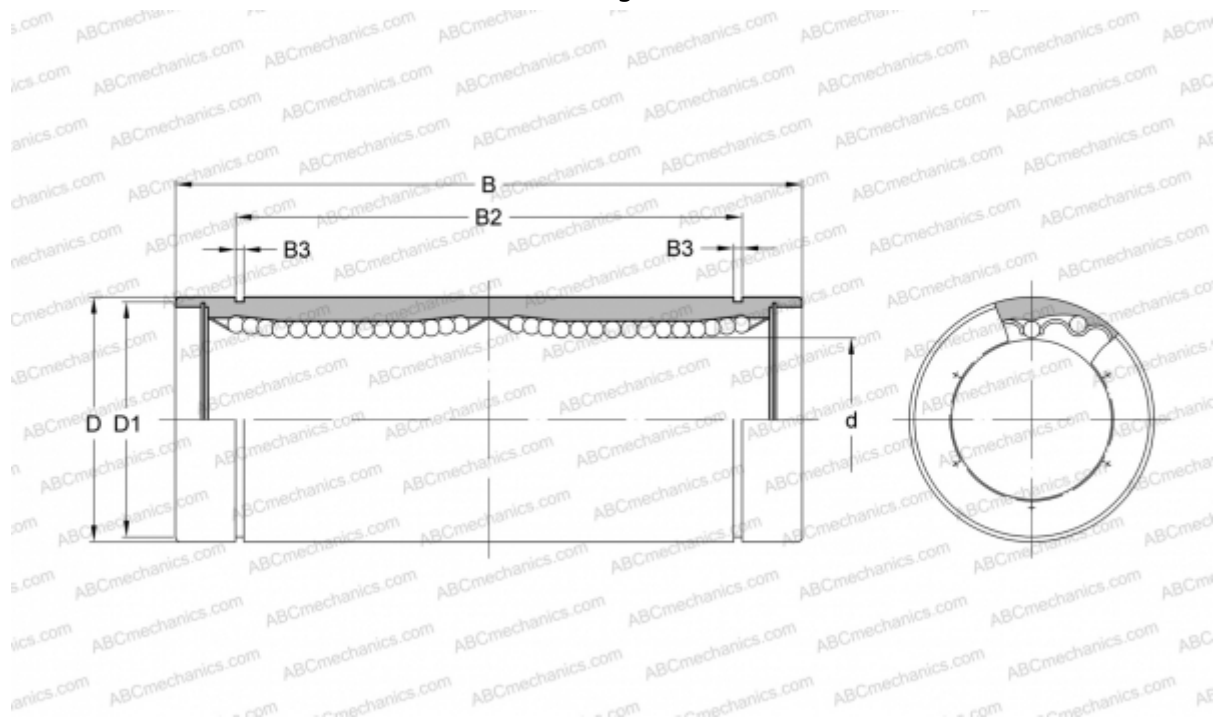


## KBS 20GW NB

Linear bushing

TYPE: Shaft guidance systems, Linear bushing, Standard, Close type, double length, Type KB..W, European standard, Corrosion resistance, Plastic cage (NB)



### Technical specification

#### DIMENSIONS, MM

|    |        |
|----|--------|
| d  | 20,000 |
| D  | 32,000 |
| B  | 80,000 |
| D1 | 30,500 |
| B2 | 61,000 |
| B3 | 1,600  |

**WEIGHT, KG** 0,180

**MANUFACTURER** [NB](#)