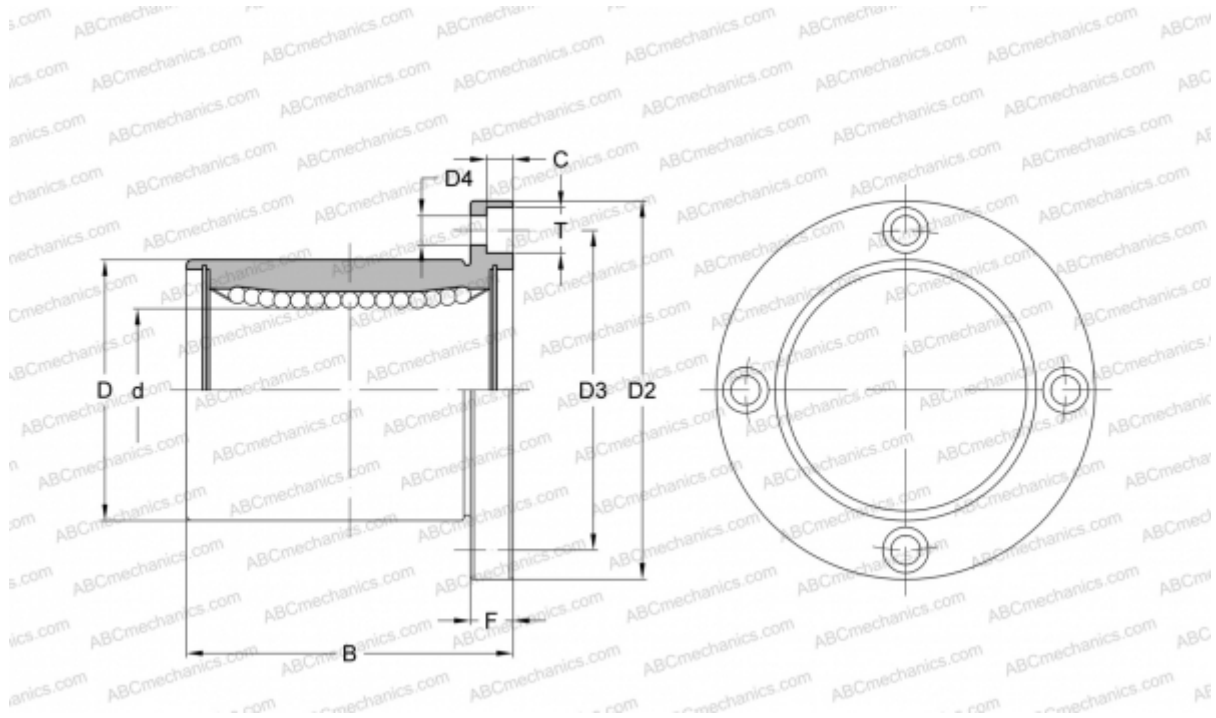


KBF 25 NB

Linear bushing

TYPE: Shaft guidance systems, Linear bushing, With flange, Circular type, Type KBF, European standard, Steel cage (NB)



Technical specification

DIMENSIONS, MM

| | |
|----|--------|
| d | 25,000 |
| D | 40,000 |
| B | 58,000 |
| D2 | 62,000 |
| D3 | 51,000 |
| F | 8 |

WEIGHT, KG 0,335

MANUFACTURER [NB](#)