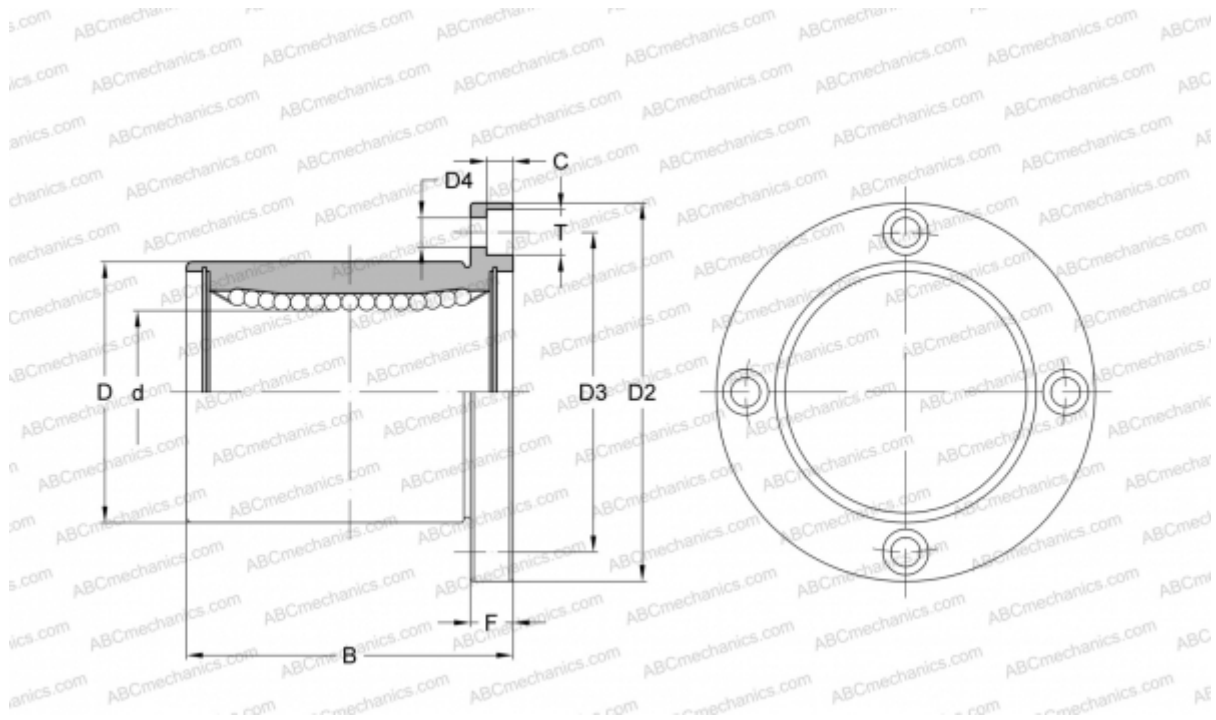


## KBF 80 NB

Linear bushing

TYPE: Shaft guidance systems, Linear bushing, With flange, Circular type, Type KBF, European standard, Steel cage (NB)



### Technical specification

#### DIMENSIONS, MM

d	80,000
D	120,000
B	165,000
D2	164,000
D3	142,000
F	18

**WEIGHT, KG** 6,420

**MANUFACTURER** [NB](#)