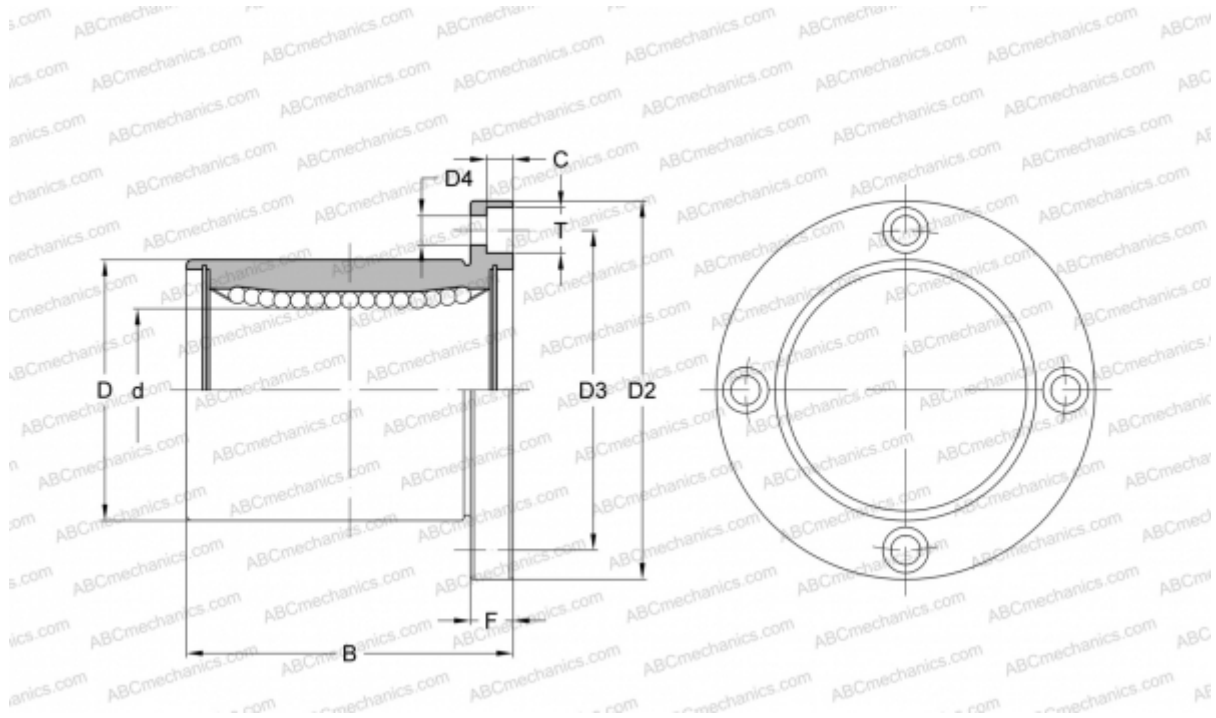


## KBSF 60G NB

Linear bushing

TYPE: Shaft guidance systems, Linear bushing, With flange, Circular type, Type KBF, European standard, Corrosion resistance, Plastic cage (NB)



### Technical specification

#### DIMENSIONS, MM

d	60,000
D	90,000
B	125,000
D2	134,000
D3	112,000
F	18

**WEIGHT, KG** 3,220

**MANUFACTURER** [NB](#)