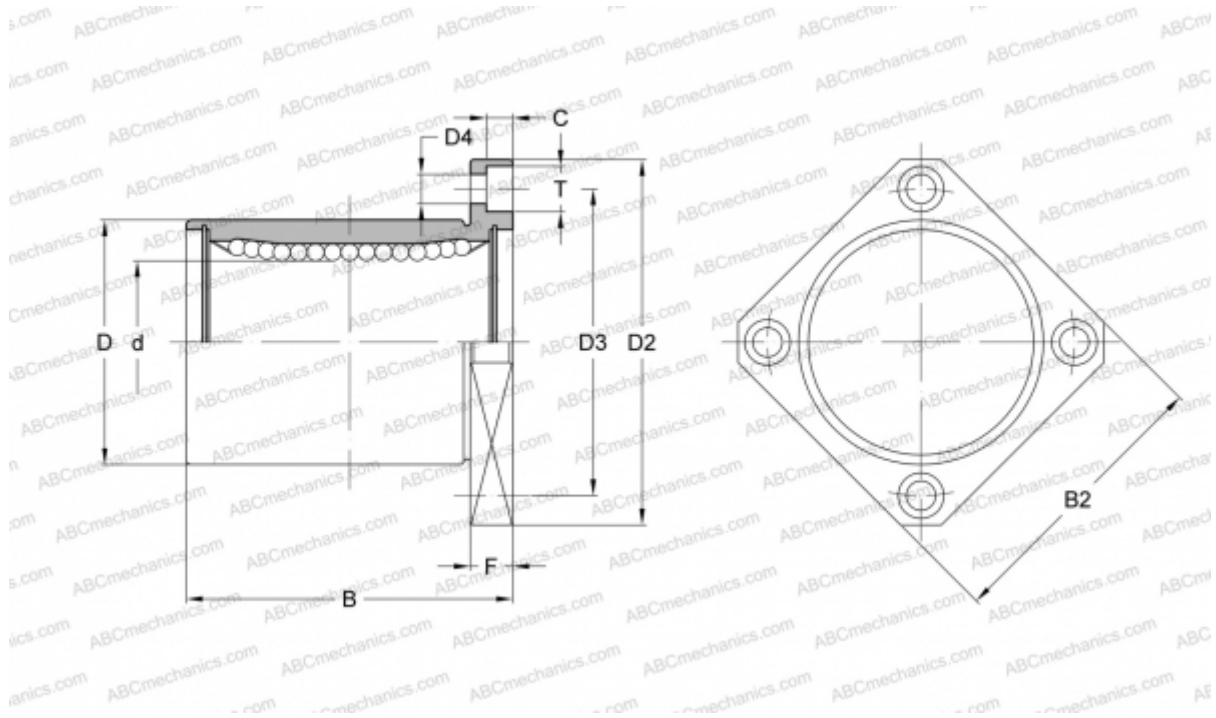


## KBK 60 NB

Linear bushing

TYPE: Shaft guidance systems, Linear bushing, With flange, Square type, Type KBK, European standard, Steel cage (NB)



### Technical specification

#### DIMENSIONS, MM

d	60,000
D	90,000
B	125,000
D2	134,000
D3	112,000
D4	11,000
B2	106,000
T	17,000
C	11,100
F	18

**WEIGHT, KG** 2,780

**MANUFACTURER** [NB](#)