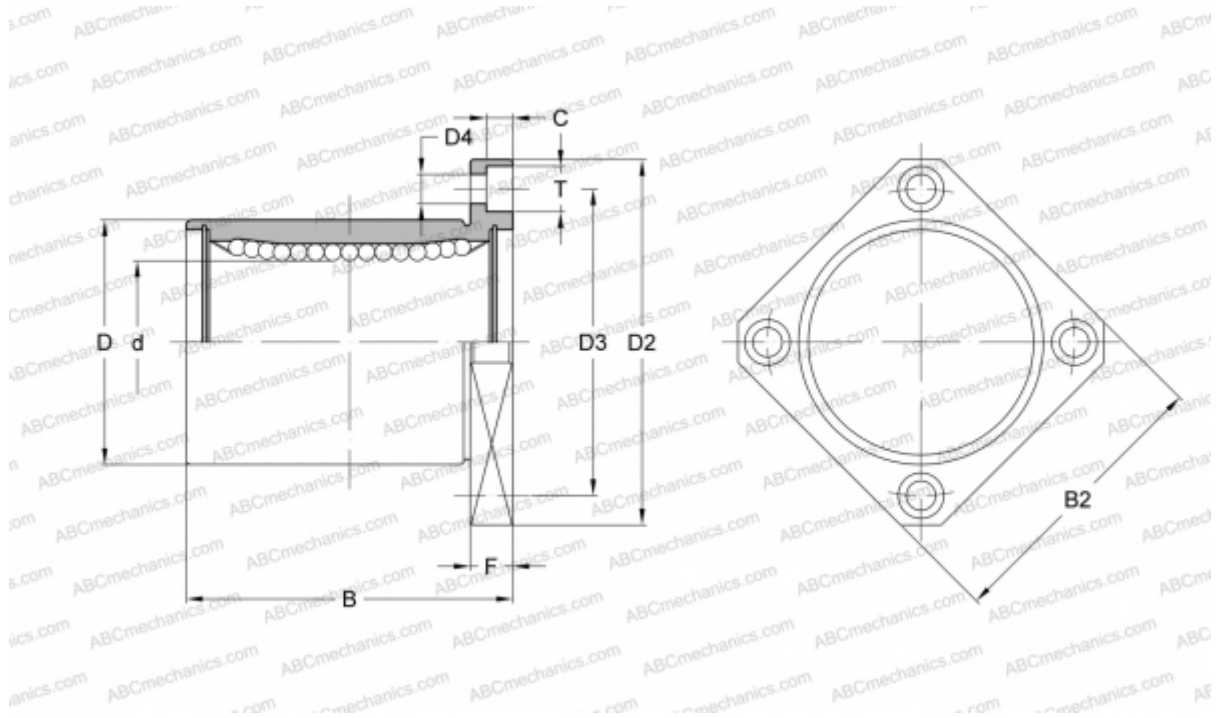


KBK 80 NB

Linear bushing

TYPE: Shaft guidance systems, Linear bushing, With flange, Square type, Type KBK, European standard, Steel cage (NB)



Technical specification

DIMENSIONS, MM

d	80,000
D	120,000
B	165,000
D2	164,000
D3	142,000
D4	11,000
B2	136,000
T	17,000
C	11,100
F	18

WEIGHT, KG 5,920

MANUFACTURER [NB](#)