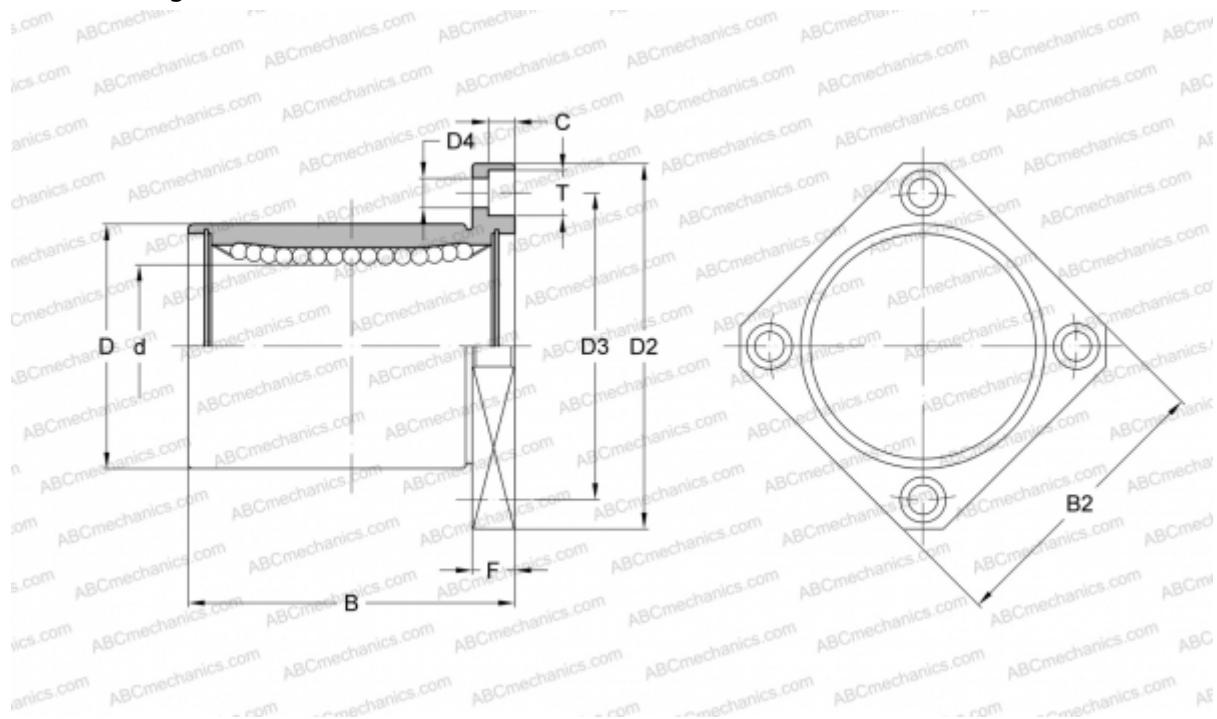


## KBK 40G NB

Linear bushing

TYPE: Shaft guidance systems, Linear bushing, With flange, Square type, Type KBK, European standard, Plastic cage (NB)



### Technical specification

#### DIMENSIONS, MM

d	40,000
D	62,000
B	80,000
D2	98,000
D3	80,000
D4	9,000
B2	75,000
T	14,000
C	8,100
F	13

**WEIGHT, KG** 0,975

**MANUFACTURER** [NB](#)