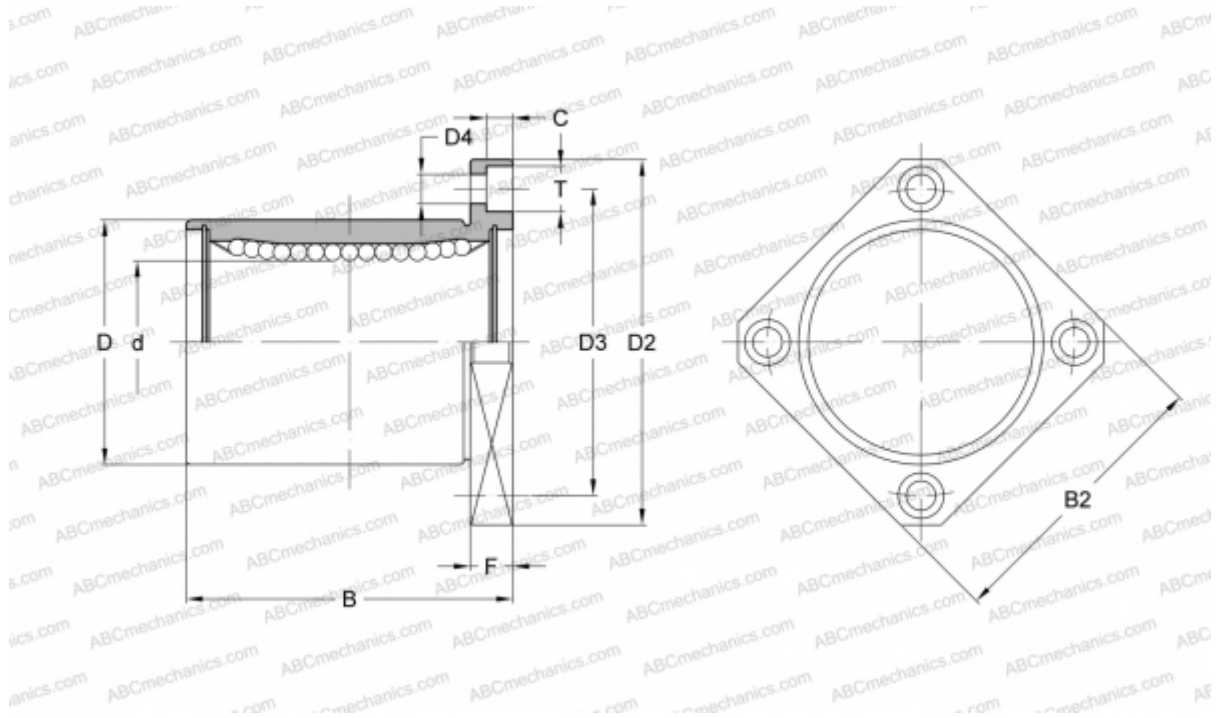


KBK 50G NB

Linear bushing

TYPE: Shaft guidance systems, Linear bushing, With flange, Square type, Type KBK, European standard, Plastic cage (NB)



Technical specification

DIMENSIONS, MM

d	50,000
D	75,000
B	100,000
D2	112,000
D3	94,000
D4	9,000
B2	88,000
T	14,000
C	8,100
F	13

WEIGHT, KG 1,545

MANUFACTURER [NB](#)