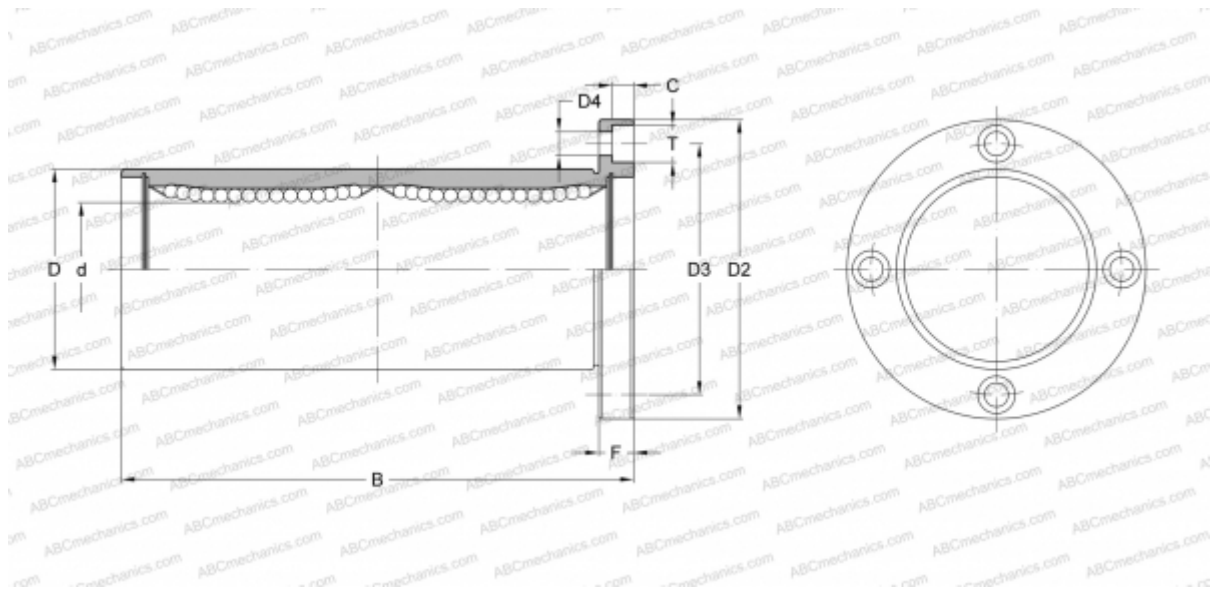


## KBF 12GW NB

Linear bushing

TYPE: Shaft guidance systems, Linear bushing, With flange, Circular type, double length, Type KBF..W, European standard, Plastic cage (NB)



### Technical specification

#### DIMENSIONS, MM

d	12,000
D	22,000
B	61,000
D2	42,000
D3	32,000
D4	4,500
T	7,500
C	4,100
F	6

**WEIGHT, KG** 0,110

**MANUFACTURER** [NB](#)