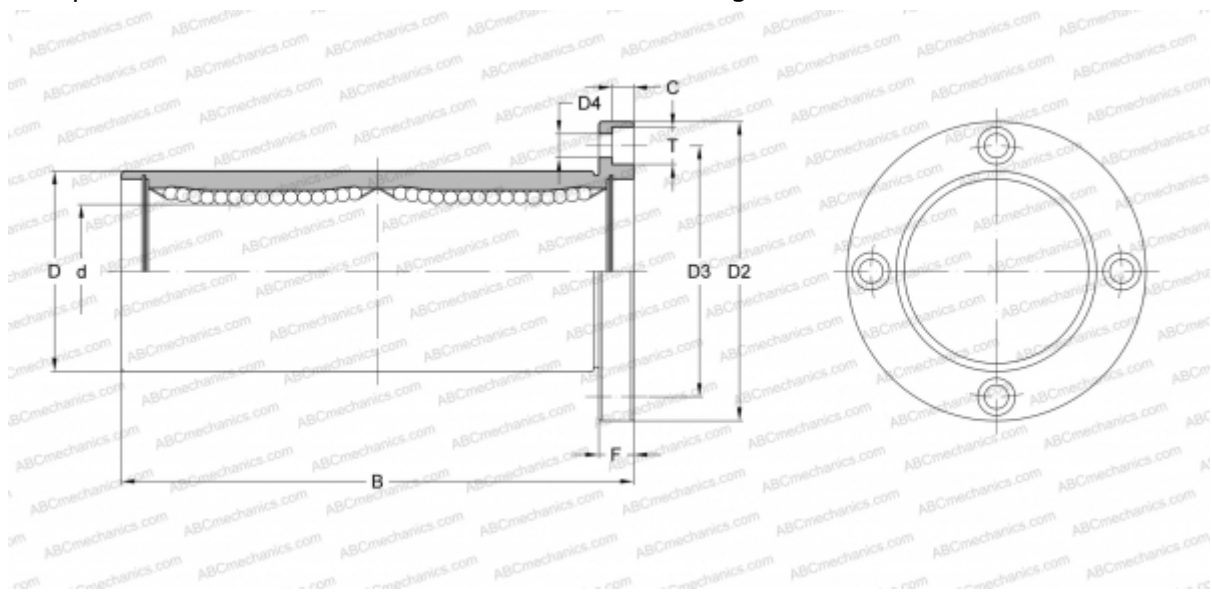


## KBSF 8GW NB

Linear bushing

TYPE: Shaft guidance systems, Linear bushing, With flange, Circular type, double length, Type KBF..W, European standard, Corrosion resistance, Plastic cage (NB)



### Technical specification

#### DIMENSIONS, MM

d	8,000
D	16,000
B	46,000
D2	32,000
D3	24,000
D4	3,500
T	6,000
C	3,100
F	5

**WEIGHT, KG** 0,059

**MANUFACTURER** [NB](#)