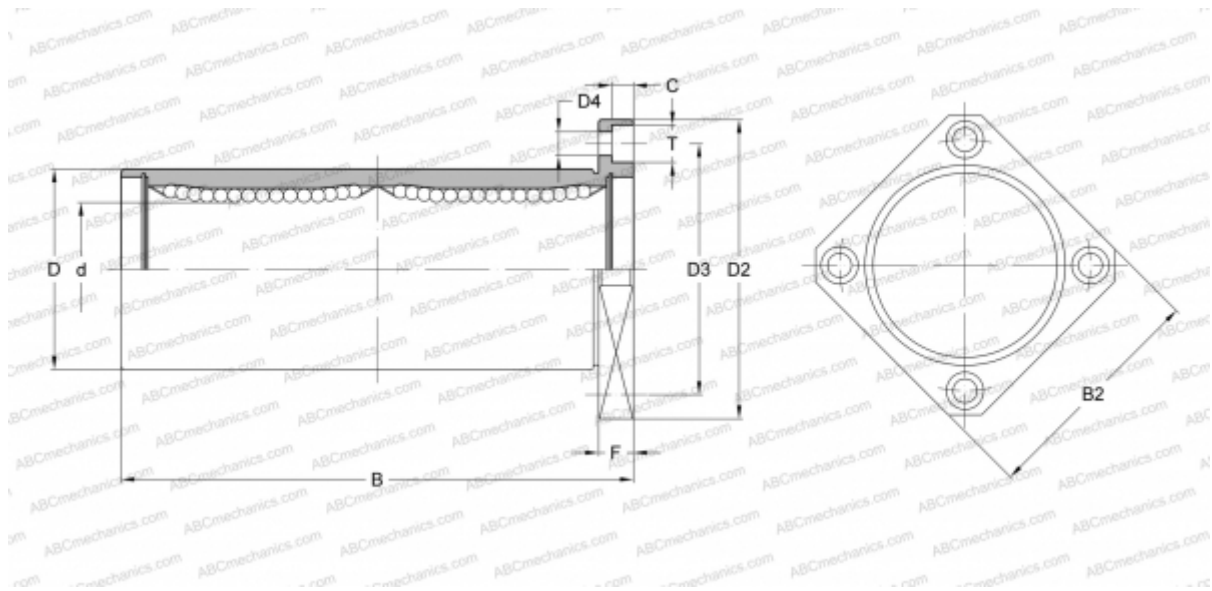


KBK 50W NB

Linear bushing

TYPE: Shaft guidance systems, Linear bushing, With flange, Square type, double length, Type KBK..W, European standard, Steel cage (NB)



Technical specification

DIMENSIONS, MM

| | |
|----|---------|
| d | 50,000 |
| D | 75,000 |
| B | 192,000 |
| D2 | 112,000 |
| D3 | 94,000 |
| D4 | 9,000 |
| B2 | 88,000 |
| T | 14,000 |
| C | 8,100 |
| F | 13 |

WEIGHT, KG 2,620

MANUFACTURER [NB](#)