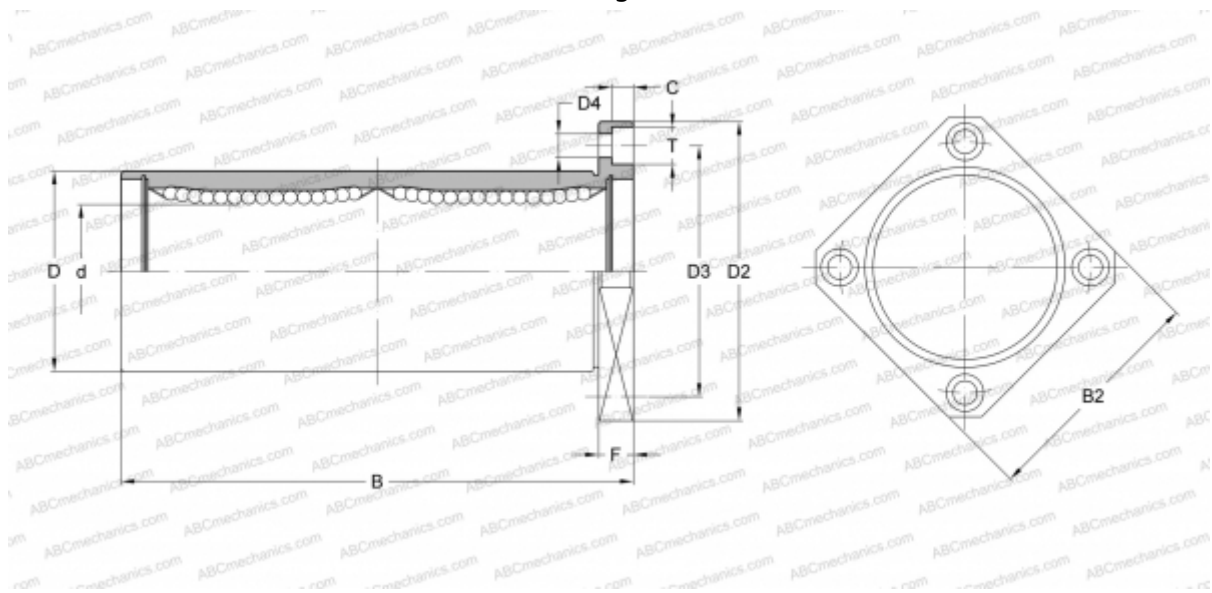


KBSK 50GW NB

Linear bushing

TYPE: Shaft guidance systems, Linear bushing, With flange, Square type, double length, Type KBK..W, European standard, Corrosion resistance, Plastic cage (NB)



Technical specification

DIMENSIONS, MM

d	50,000
D	75,000
B	192,000
D2	112,000
D3	94,000
D4	9,000
B2	88,000
T	14,000
C	8,100
F	13

WEIGHT, KG 2,620

MANUFACTURER [NB](#)