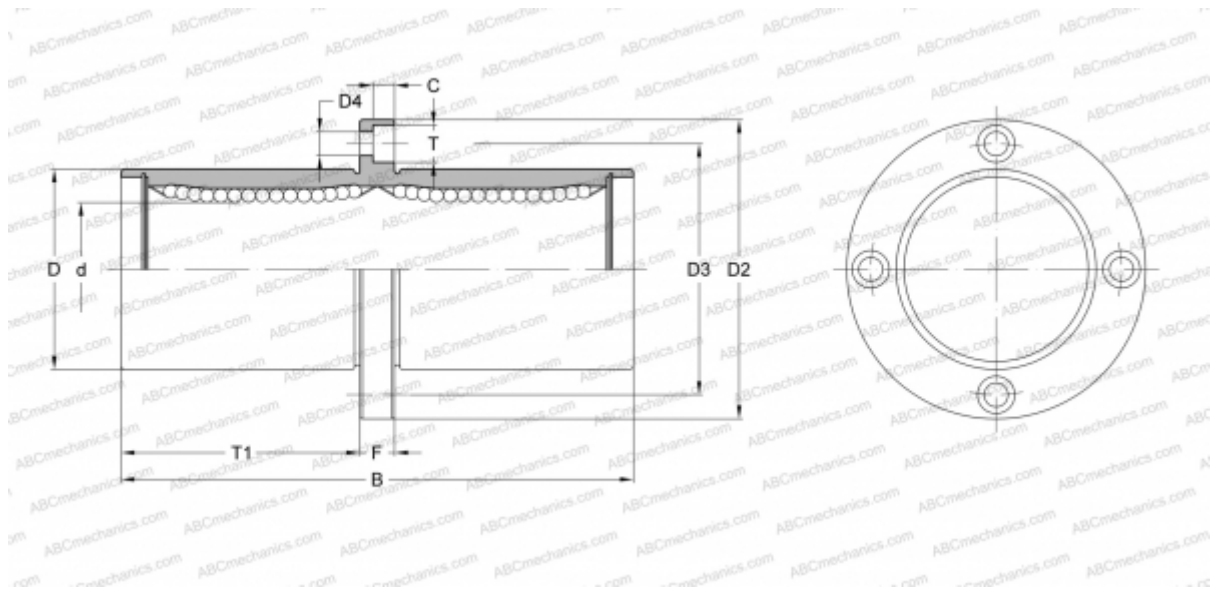


KBFC 30 NB

Linear bushing

TYPE: Shaft guidance systems, Linear bushing, Middle flange location, Circular type, Type KBFC, European standard, Steel cage (NB)



Technical specification

DIMENSIONS, MM

d	30,000
D	47,000
B	123,000
D2	76,000
D3	62,000
D4	6,600
T	11,000
T1	56,500
C	6,100
F	10

WEIGHT, KG 0,815

MANUFACTURER [NB](#)