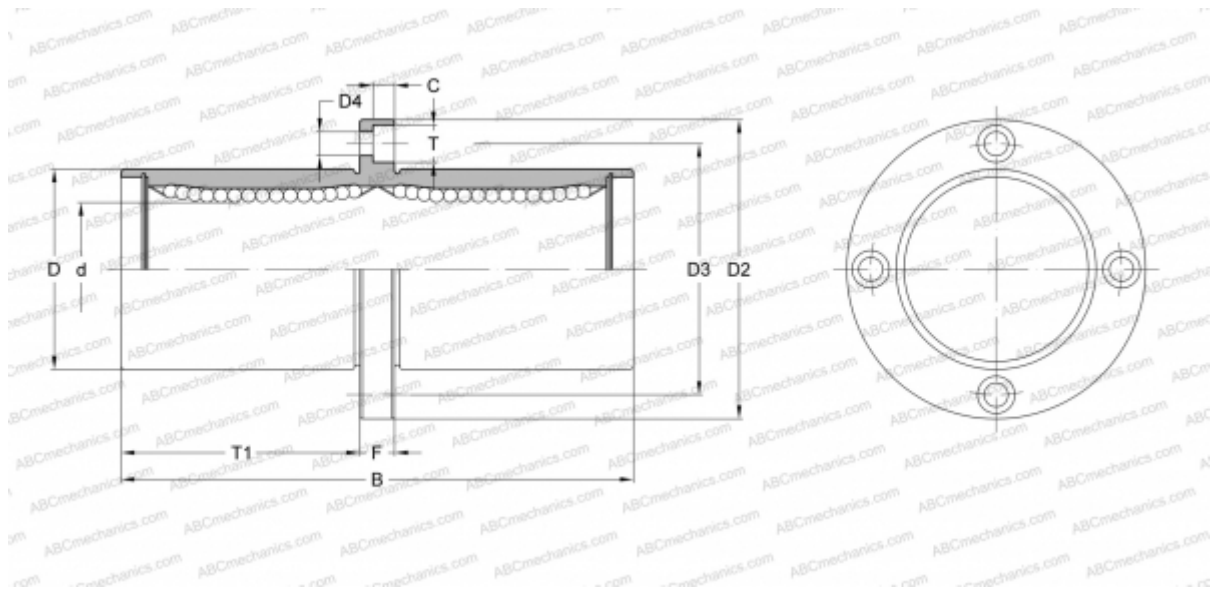


KBFC 60 NB

Linear bushing

TYPE: Shaft guidance systems, Linear bushing, Middle flange location, Circular type, Type KBFC, European standard, Steel cage (NB)



Technical specification

DIMENSIONS, MM

| | |
|----|---------|
| d | 60,000 |
| D | 90,000 |
| B | 209,000 |
| D2 | 134,000 |
| D3 | 112,000 |
| D4 | 11,000 |
| T | 17,000 |
| T1 | 95,500 |
| C | 11,100 |
| F | 18 |

WEIGHT, KG 4,920

MANUFACTURER [NB](#)