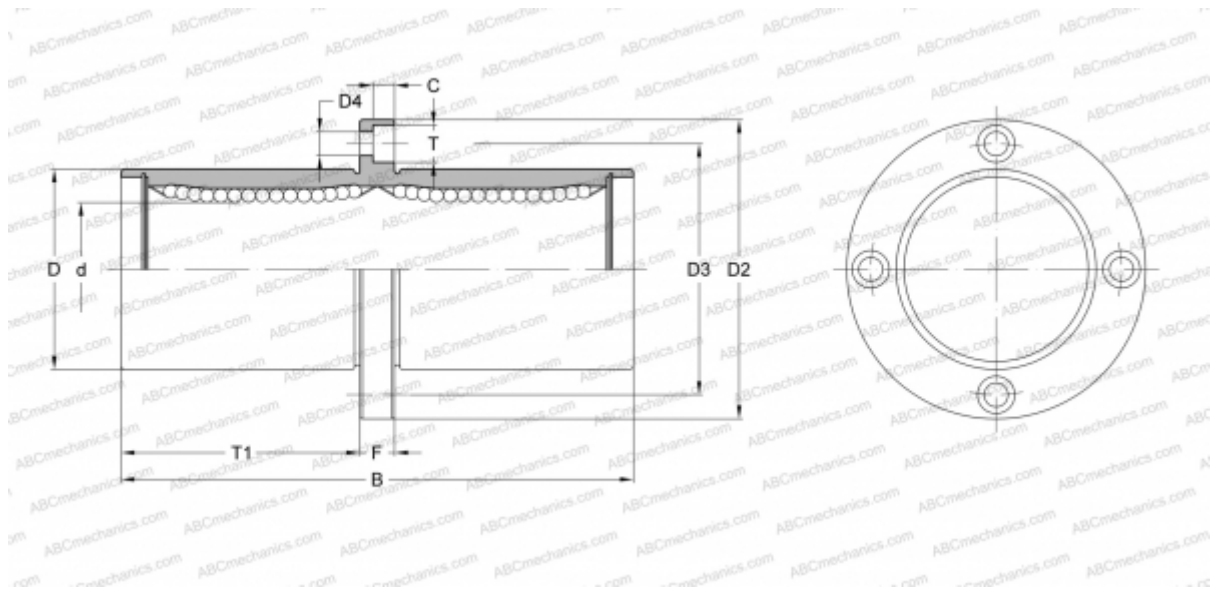


## KBFC 40G NB

Linear bushing

TYPE: Shaft guidance systems, Linear bushing, Middle flange location, Circular type, Type KBFC, European standard, Plastic cage (NB)



### Technical specification

#### DIMENSIONS, MM

|    |         |
|----|---------|
| d  | 40,000  |
| D  | 62,000  |
| B  | 151,000 |
| D2 | 98,000  |
| D3 | 80,000  |
| D4 | 9,000   |
| T  | 14,000  |
| T1 | 69,000  |
| C  | 8,100   |
| F  | 13      |

**WEIGHT, KG** 1,805

**MANUFACTURER** [NB](#)