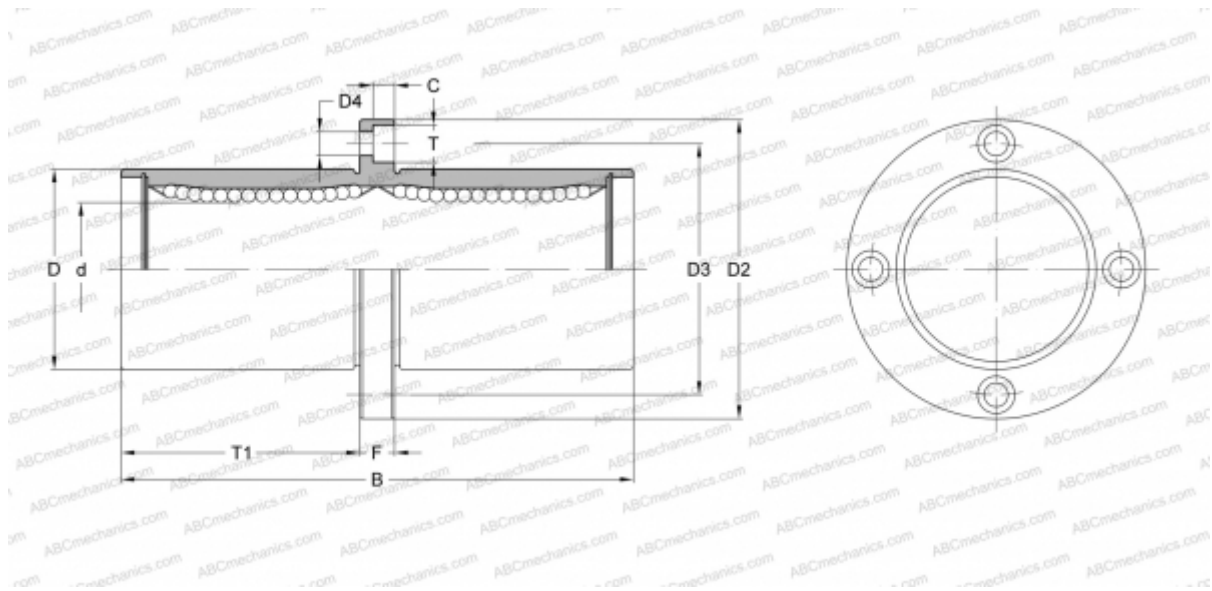


KBSFC 30 NB

Linear bushing

TYPE: Shaft guidance systems, Linear bushing, Middle flange location, Circular type, Type KBFC, European standard, Corrosion resistance, Stainless steel cage (NB)



Technical specification

DIMENSIONS, MM

| | |
|----|---------|
| d | 30,000 |
| D | 47,000 |
| B | 123,000 |
| D2 | 76,000 |
| D3 | 62,000 |
| D4 | 6,600 |
| T | 11,000 |
| T1 | 56,500 |
| C | 6,100 |
| F | 10 |

WEIGHT, KG 0,815

MANUFACTURER [NB](#)