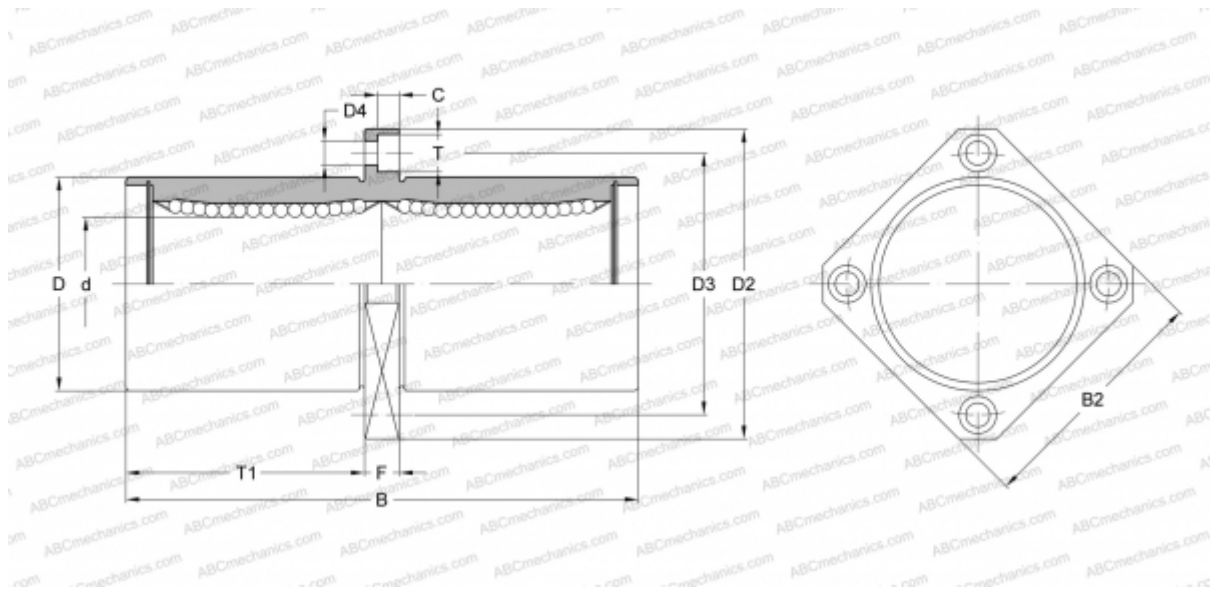


KBKC 8G NB

Linear bushing

TYPE: Shaft guidance systems, Linear bushing, Middle flange location, Square type, Type KBKC, European standard, Plastic cage (NB)



Technical specification

DIMENSIONS, MM

| | |
|----|--------|
| d | 8,000 |
| D | 16,000 |
| B | 46,000 |
| D2 | 32,000 |
| D3 | 24,000 |
| D4 | 3,500 |
| B2 | 25,000 |
| T | 6,000 |
| T1 | 20,500 |
| C | 3,100 |
| F | 5 |

WEIGHT, KG 0,051

MANUFACTURER [NB](#)