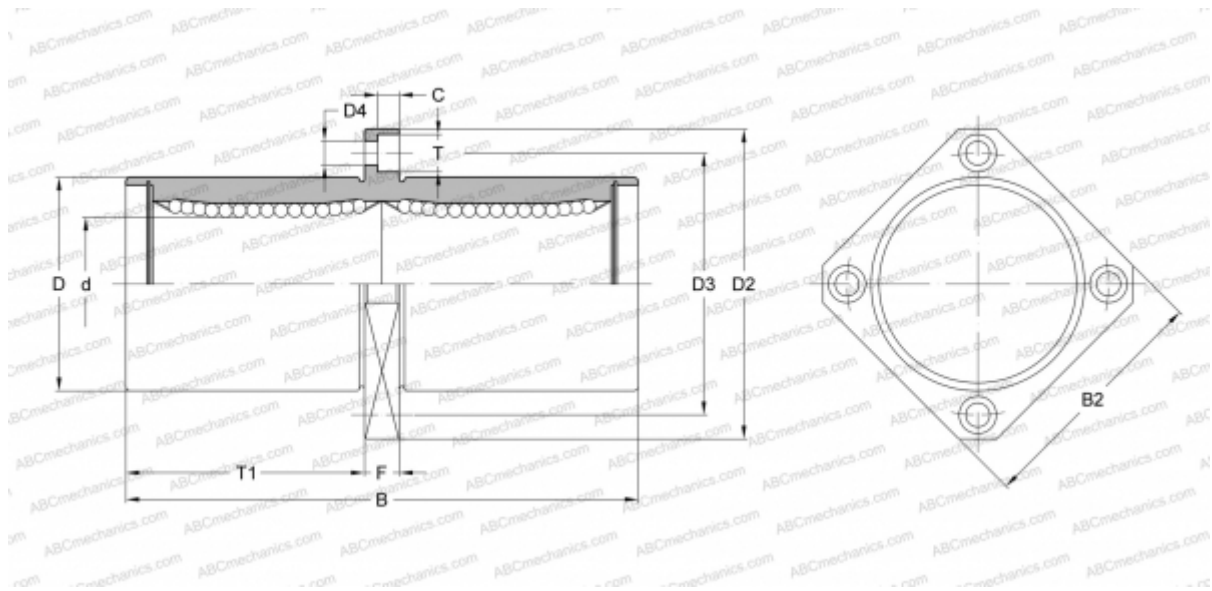


## KBKC 50G NB

Linear bushing

TYPE: Shaft guidance systems, Linear bushing, Middle flange location, Square type, Type KBKC, European standard, Plastic cage (NB)



### Technical specification

#### DIMENSIONS, MM

d	50,000
D	75,000
B	192,000
D2	112,000
D3	94,000
D4	9,000
B2	88,000
T	14,000
T1	89,500
C	8,100
F	13

**WEIGHT, KG** 2,620

**MANUFACTURER** [NB](#)