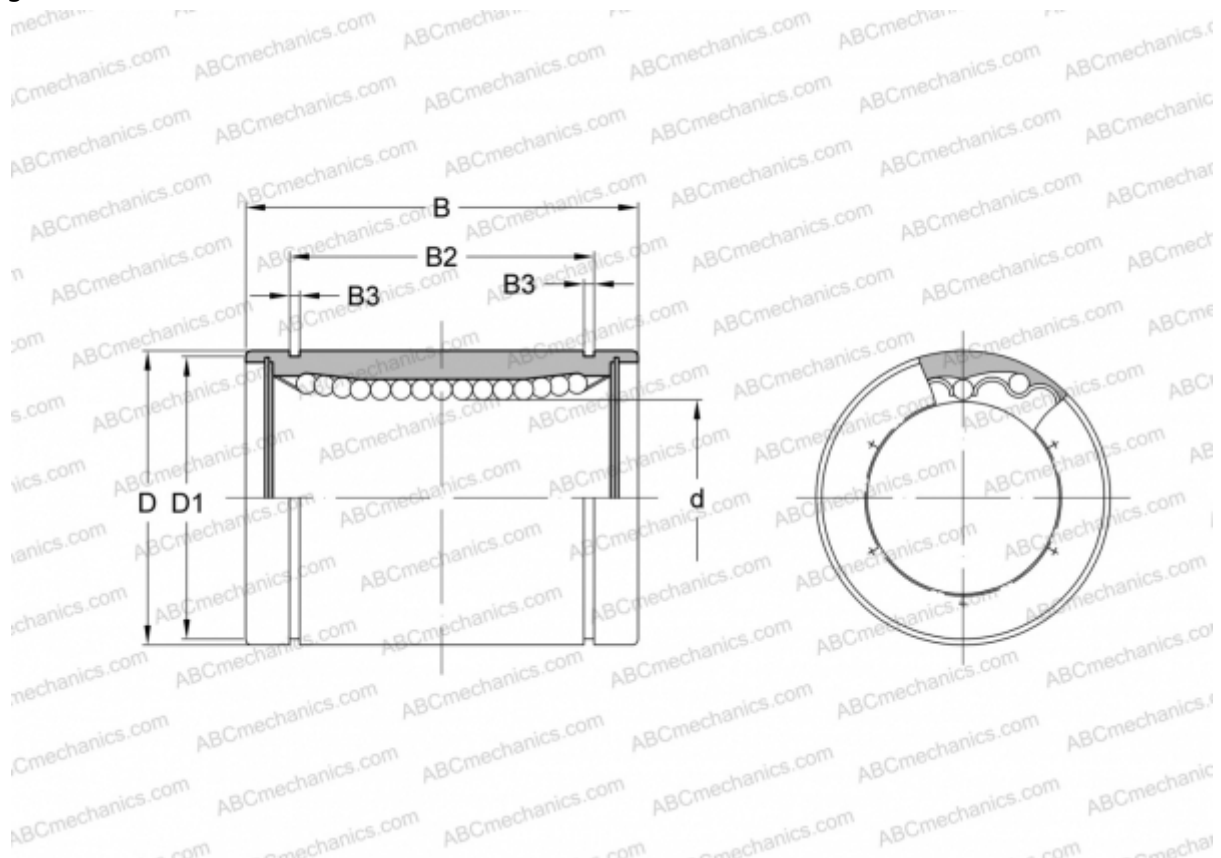


SW 48 NB

Linear bushing

TYPE: Shaft guidance systems, Linear bushing, Standard, Close type, Type SW, American standard, Steel cage (NB)



Technical specification

DIMENSIONS, MM

d	76,200
D	114,300
B	152,400
D1	109,474
B2	120,040
B3	3,048

WEIGHT, KG 4,380

MANUFACTURER [NB](#)